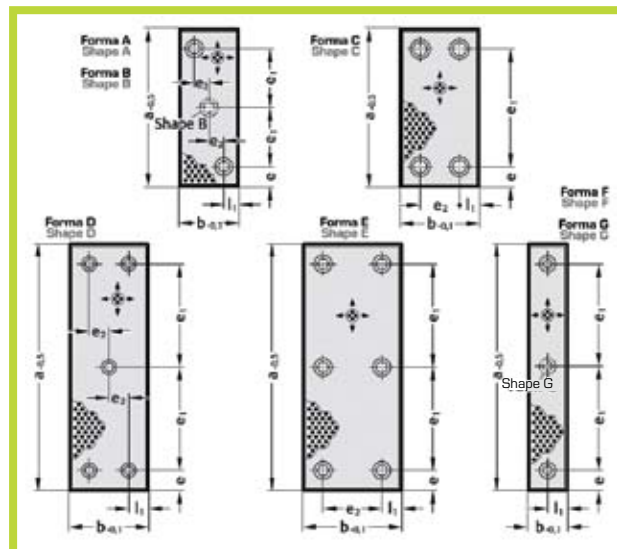
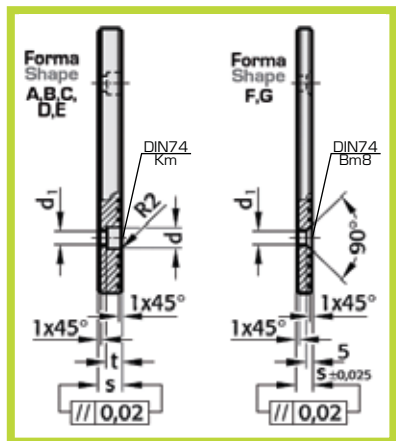


R2962.78

- Piastra di scorrimento.
Bronzo con inserti di lubrificante solido
- Sliding pad.
Bronze with non-liquid lubricant



Esempio di ordinativo: Codice x b x S x a
Example of purchasing order: Code x b x S x a

Code Codice	Forma Shape	b	S	a	l ₁	e ₁	e ₂	Quantità di fori Quantity of holes	Svasatura DIN 74 Embrasure DIN 74
R2962.78	A	30	12	100	15	60	-	2	Km 8
R2962.78	B	30	12	160	15	60	-	3	Km 8
R2962.78	B	30	12	250	15	105	-	3	Km 8
R2962.78	F	40	8	100	20	60	-	2	Bm 8
R2962.78	G	40	8	160	20	60	-	3	Bm 8
R2962.78	G	40	8	250	20	105	-	3	Bm 8
R2962.78	A	40	12	100	20	60	-	2	Km 8
R2962.78	B	40	12	160	20	60	-	3	Km 8
R2962.78	B	40	12	250	20	105	-	3	Km 8
R2962.78	A	40	16	100	20	60	-	2	Km 10
R2962.78	B	40	16	160	20	60	-	3	Km 10
R2962.78	B	40	16	250	20	105	-	3	Km 10
R2962.78	A	50	20	100	15	60	20	2	Km 12
R2962.78	B	50	20	160	15	60	10	3	Km 12
R2962.78	B	50	20	250	15	105	10	3	Km 12
R2962.78	A	60	16	100	15	60	30	2	Km 10
R2962.78	B	60	16	160	15	60	15	3	Km 10
R2962.78	B	60	16	250	15	105	15	3	Km 10
R2962.78	A	80	12	100	20	60	40	2	Km 8
R2962.78	C	80	12	160	20	120	40	4	Km 8
R2962.78	D	80	12	250	20	105	20	5	Km 8
R2962.78	A	80	20	100	20	60	40	2	Km 12
R2962.78	C	80	20	160	20	120	40	4	Km 12
R2962.78	D	80	20	250	20	105	20	5	Km 12
R2962.78	A	100	16	100	20	60	60	2	Km 10
R2962.78	C	100	16	160	20	120	60	4	Km 10
R2962.78	E	100	16	250	20	105	60	6	Km 10
R2962.78	C	125	20	100	20	60	85	4	Km 12
R2962.78	C	125	20	160	20	120	85	4	Km 12
R2962.78	E	125	20	250	20	105	85	6	Km 12