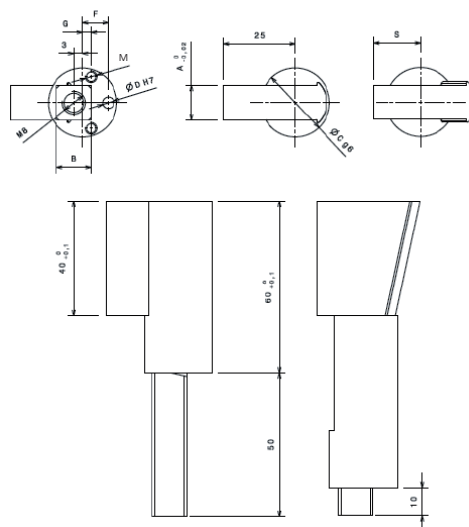


### R0338

Pattino intern  
Inside slide



**Descrizione:**

**Materiale:** Pinza, Asta - 1.2344; Bussola - 1.2842  
**Trattamento:** Pinza, Asta - Tempra 50/52 HRC  
 Bussola - Tempra 54/56 HRC  
**Riversimento:** Pinza - Wonder

**Description:**

**Material:** Clamp, Pin - 1.2344/44; Bush - 1.2842  
**Treatment:** Clamp, Pin - Hardening 50/52 HRC  
 Bush - Hardening 54/56 HRC  
**Coating:** Clamp - Wonder

Codice Code	A	B	C	D	M	F	G	S X 0°
R0538-08-0001	12	12	24	4	M4	9	3	16.5
R0538-08-0002	16	18	32	5	M5	11	3	16.5
R0538-08-0003	20	18	36	5	M5	14	1	16.5
R0538-08-0004	24	18	42	5	M5	14	1	16.5