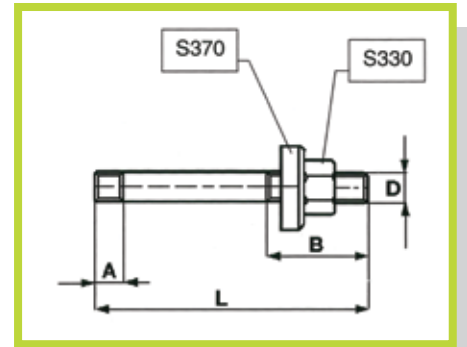


S320

- Prigioniere completo di dado S330 e rondella S370 (DIN 6379)

- Stud complete with short nut S330 and washer S370 (DIN 6379)



Materiale: UNI 42 CrMo4 a norma
ASTM A 193-B7 Classe 10.9. filetto ottenuto per rullatura

Material: UNI 42 CrMo4 According to standard
ASTM A 193-B7 Class 10.9. rolled thread

Esempio di ordinativo : Codice
Example of purchasing order : Code

Codice/Code	D	L	A	B	gr	Codice/Code	D	L	A	B	gr	Codice/Code	D	L	A	B	gr
S320.08040		40		20	25	S320.16065		63		35	160	S320.24100		100		45	490
S320.08060		63		40	35	S320.16080		80		50	180	S320.24125		125		70	580
S320.08080		80		50	40	S320.16100		100		63	205	S320.24160		160		100	670
S320.08100	M8	100	11	63	45	S320.16125		125		75	235	S320.24200	M24	200	35	125	780
S320.08125		125		75	50	S320.16160	M16	160	19	100	295	S320.24225		225		125	870
S320.08160		160		100	60	S320.16200		200		125	355	S320.24250		250		160	930
S320.08200		200		100	80	S320.16225		225		160	370	S320.24315		315		180	1120
S320.10050		50		25	50	S320.16250		250		160	400	S320.27125		125		56	785
S320.10060		60		35	55	S320.16315		315		180	500	S320.27150		150		80	870
S320.10080		80		50	65	S320.18080		80		50	230	S320.27200		200		125	1070
S320.10100	M10	100	13	75	75	S320.18100		100		50	265	S320.27225	M27	225	39	160	1160
S320.10120		120		75	85	S320.18125		125		75	300	S320.27250		250		160	1260
S320.10160		160		100	105	S320.18160	M18	160	23	100	355	S320.27315		315		200	1410
S320.10200		200		125	125	S320.18200		200		125	420	S320.27400		400		250	1835
S320.12050		50		25	80	S320.18225		225		150	465	S320.27500		500		315	2230
S320.12060		63		32	85	S320.18250		250		150	500	S320.30125		125		56	960
S320.12080		80		50	95	S320.18315		315		150	600	S320.30150		150		80	1080
S320.12100		100		63	110	S320.20080		80		30	305	S320.30200		200		125	1320
S320.12125	M12	125	15	75	130	S320.20125		125		70	375	S320.30250	M30	250	43	160	1550
S320.12160		160		100	155	S320.20160		160		100	450	S320.30315		315		200	1860
S320.12200		200		125	180	S320.20200	M20	200	27	125	530	S320.30400		400		250	2250
S320.12225		225		160	205	S320.20225		225		160	585	S320.30500		500		315	2730
S320.12250		250		160	220	S320.20250		250		160	630	S320.30700		700		400	3670
S320.14060		63		32	145	S320.20315		315		32	760	S320.36160		160		80	1725
S320.14080		80		50	150	S320.22100		100		45	440	S320.36200		200		125	1965
S320.14100		100		63	160	S320.22120		120		63	470	S320.36250		250		160	2335
S320.14120	M14	120	17	75	185	S320.22160		160		100	600	S320.36315	M36	315	51	200	2775
S320.14160		160		100	215	S320.22200	M22	200	31	125	670	S320.36400		400		250	3365
S320.14200		200		125	260	S320.22225		225		160	740	S320.36500		500		315	4165
S320.14225		225		160	290	S320.22250		250		160	840	S320.36700		700		400	5405
S320.14250		250		160	305	S320.22315		315		250	920						