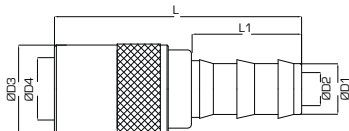
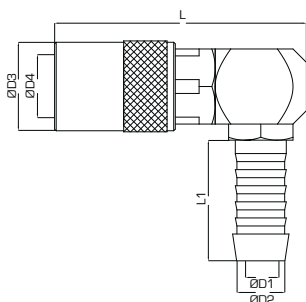


## R0375 Attacco rapido/ Quick coupling



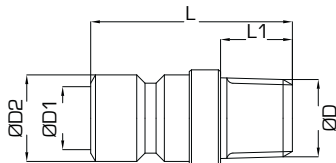
Ordine Nr. / Order No. Con valvola / With Valve	Ordine Nr. / Order No. Senza valvola / Without Valve	D1	D2	D3	D4	L	L1
R0375-09-0001	R0375-09-0007	6	5	17	9.4	56	25.5
R0375-09-0002	R0375-09-0008	10	6	17	9.4	56	25.5
R0375-09-0003	R0375-09-0009	10	8	22	13.5	68	28
R0375-09-0004	R0375-09-0010	13	9	22	13.5	68	28
R0375-09-0005	R0375-09-0011	16	13	31	20	94	34
R0375-09-0006	R0375-09-0012	19	13	31	20	94	34

## R0376 Attacco rapido a 90° / Quick coupling 90°



Ordine Nr. / Order No. Con valvola / With Valve	Ordine Nr. / Order No. Senza valvola / Without Valve	D1	D2	D3	D4	L	L1
R0376-09-0001	R0376-09-0006	5	6	17	9.4	45	25.5
R0376-09-0002	R0376-09-0007	6	9	17	9.4	45	25.5
R0376-09-0003	R0376-09-0008	8	9	22	13.5	60	25
R0376-09-0004	R0376-09-0009	9	13	22	13.5	60	25
R0376-09-0005	R0376-09-0010	13	19	31	13.5	87	34

## R0377 Innesto rapido filetto maschio / Male thread quick plug



Ordine Nr. / Order No.		ØD	D1	D2	L	L1	ES. HEX.
BSPT	NPT						
R0377-09-0001	R0377-09-0013	1/8"	6	9.4	17	9	13
R0377-09-0002	R0377-09-0014	1/4"	6	9.4	19	12	14
R0377-09-0003	R0377-09-0015	3/8"	6	9.4	21	12	17
R0377-09-0004		M10x1	6	9.4	18	7	11
R0377-09-0005		M14x1.5	6	9.4	18	9	15
R0377-09-0006		M16x1.5	6	9.4	18	9	17
R0377-09-0007	R0377-09-0016	1/4"	9	13.5	30	12	14
R0377-09-0008	R0377-09-0017	3/8"	9	13.5	33	12	17
R0377-09-0009	R0377-09-0018	1/2"	9	13.5	33	16	22
R0377-09-0010		M10x1	6.5	13.5	25	7	14
R0377-09-0011		M14x1.5	9	13.5	27	9	15
R0377-09-0012		M16x1.5	9	13.5	27	9	17

Esempio di ordinativo: Codice  
Example of purchasing order: Code