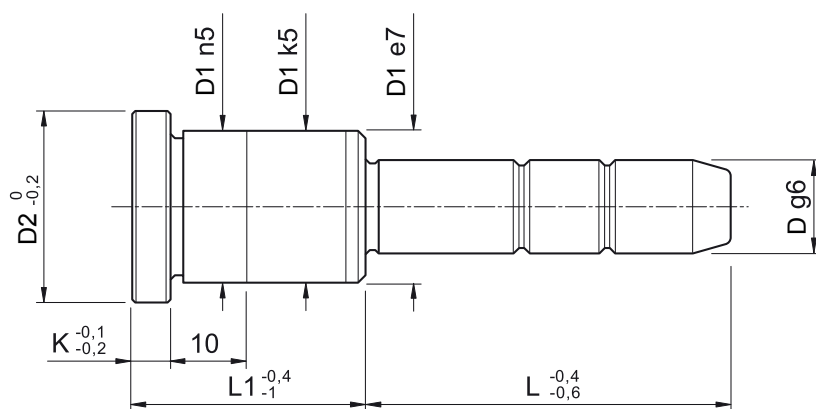


R0212

Colonna di guida a due diametri
Two diameters shouldered guide pillar



Descrizione:

Description:

Materiale: 1.7139 Tempra
Trattamento termico: Cementazione + Tempra

Material: 1.7139 Hardened
Heat treatment: Cementing + Hardening

Codice Code	D	D1	D2	K	L	L1
R0212-03-0001	14	20	25	6	35	17
R0212-03-0002	14	20	25	6	55	17
R0212-03-0003	14	20	25	6	75	17
R0212-03-0004	14	20	25	6	95	17
R0212-03-0005	14	20	25	6	35	22
R0212-03-0006	14	20	25	6	55	22
R0212-03-0007	14	20	25	6	75	22
R0212-03-0008	14	20	25	6	95	22
R0212-03-0009	14	20	25	6	35	27
R0212-03-0010	14	20	25	6	55	27
R0212-03-0011	14	20	25	6	75	27
R0212-03-0012	14	20	25	6	95	27
R0212-03-0013	14	20	25	6	115	27
R0212-03-0014	14	20	25	6	135	27
R0212-03-0015	14	20	25	6	35	36
R0212-03-0016	14	20	25	6	55	36
R0212-03-0017	14	20	25	6	75	36
R0212-03-0018	14	20	25	6	95	36
R0212-03-0019	14	20	25	6	115	36
R0212-03-0020	14	20	25	6	135	36
R0212-03-0021	14	20	25	6	35	46
R0212-03-0022	14	20	25	6	55	46
R0212-03-0023	14	20	25	6	75	46
R0212-03-0024	14	20	25	6	95	46
R0212-03-0025	14	20	25	6	115	46
R0212-03-0026	14	20	25	6	135	46
R0212-03-0027	14	20	25	6	55	56
R0212-03-0028	14	20	25	6	75	56
R0212-03-0029	14	20	25	6	95	56
R0212-03-0030	14	20	25	6	55	66
R0212-03-0031	14	20	25	6	75	66
R0212-03-0032	14	20	25	6	95	66
R0212-03-0033	14	20	25	6	55	76
R0212-03-0034	14	20	25	6	75	76
R0212-03-0035	14	20	25	6	95	76
R0212-03-0036	14	20	25	6	55	86
R0212-03-0037	14	20	25	6	75	86
R0212-03-0038	14	20	25	6	95	86
R0212-03-0039	14	20	25	6	55	96
R0212-03-0040	14	20	25	6	75	96
R0212-03-0041	14	20	25	6	95	96
R0212-03-0042	15	20	25	6	35	17
R0212-03-0043	15	20	25	6	55	17
R0212-03-0044	15	20	25	6	75	17
R0212-03-0045	15	20	25	6	95	17

Codice Code	D	D1	D2	K	L	L1
R0212-03-0046	15	20	25	6	35	22
R0212-03-0047	15	20	25	6	55	22
R0212-03-0048	15	20	25	6	75	22
R0212-03-0049	15	20	25	6	95	22
R0212-03-0050	15	20	25	6	35	27
R0212-03-0051	15	20	25	6	55	27
R0212-03-0052	15	20	25	6	75	27
R0212-03-0053	15	20	25	6	95	27
R0212-03-0054	15	20	25	6	115	27
R0212-03-0055	15	20	25	6	135	27
R0212-03-0056	15	20	25	6	35	36
R0212-03-0057	15	20	25	6	55	36
R0212-03-0058	15	20	25	6	75	36
R0212-03-0059	15	20	25	6	95	36
R0212-03-0060	15	20	25	6	115	36
R0212-03-0061	15	20	25	6	135	36
R0212-03-0062	15	20	25	6	35	46
R0212-03-0063	15	20	25	6	55	46
R0212-03-0064	15	20	25	6	75	46
R0212-03-0065	15	20	25	6	95	46
R0212-03-0066	15	20	25	6	115	46
R0212-03-0067	15	20	25	6	135	46
R0212-03-0068	15	20	25	6	55	56
R0212-03-0069	15	20	25	6	75	56
R0212-03-0070	15	20	25	6	95	56
R0212-03-0071	15	20	25	6	55	66
R0212-03-0072	15	20	25	6	75	66
R0212-03-0073	15	20	25	6	95	66
R0212-03-0074	15	20	25	6	55	76
R0212-03-0075	15	20	25	6	75	76
R0212-03-0076	15	20	25	6	95	76
R0212-03-0077	15	20	25	6	55	86
R0212-03-0078	15	20	25	6	75	86
R0212-03-0079	15	20	25	6	95	86
R0212-03-0080	15	20	25	6	55	96
R0212-03-0081	15	20	25	6	75	96
R0212-03-0082	15	20	25	6	95	96
R0212-03-0083	18	26	31	6	35	17
R0212-03-0084	18	26	31	6	55	17
R0212-03-0085	18	26	31	6	75	17
R0212-03-0086	18	26	31	6	95	17
R0212-03-0087	18	26	31	6	35	22
R0212-03-0088	18	26	31	6	55	22
R0212-03-0089	18	26	31	6	75	22
R0212-03-0090	18	26	31	6	95	22

R0212

Colonna di guida a due diametri

Two diameters shouldered guide pillar

Codice Code	D	D1	D2	K	L	L1
R0212-03-0091	18	26	31	6	35	27
R0212-03-0092	18	26	31	6	55	27
R0212-03-0093	18	26	31	6	75	27
R0212-03-0094	18	26	31	6	95	27
R0212-03-0095	18	26	31	6	115	27
R0212-03-0096	18	26	31	6	155	27
R0212-03-0097	18	26	31	6	195	27
R0212-03-0098	18	26	31	6	235	27
R0212-03-0099	18	26	31	6	35	36
R0212-03-0100	18	26	31	6	55	36
R0212-03-0101	18	26	31	6	75	36
R0212-03-0102	18	26	31	6	95	36
R0212-03-0103	18	26	31	6	115	36
R0212-03-0104	18	26	31	6	155	36
R0212-03-0105	18	26	31	6	195	36
R0212-03-0106	18	26	31	6	235	36
R0212-03-0107	18	26	31	6	35	46
R0212-03-0108	18	26	31	6	55	46
R0212-03-0109	18	26	31	6	75	46
R0212-03-0110	18	26	31	6	95	46
R0212-03-0111	18	26	31	6	115	46
R0212-03-0112	18	26	31	6	155	46
R0212-03-0113	18	26	31	6	195	46
R0212-03-0114	18	26	31	6	55	56
R0212-03-0115	18	26	31	6	75	56
R0212-03-0116	18	26	31	6	95	56
R0212-03-0117	18	26	31	6	115	56
R0212-03-0118	18	26	31	6	135	56
R0212-03-0654	18	26	31	6	55	66
R0212-03-0655	18	26	31	6	75	66
R0212-03-0656	18	26	31	6	95	66
R0212-03-0657	18	26	31	6	115	66
R0212-03-0658	18	26	31	6	135	66
R0212-03-0659	18	26	31	6	155	66
R0212-03-0120	18	26	31	6	55	76
R0212-03-0121	18	26	31	6	75	76
R0212-03-0122	18	26	31	6	95	76
R0212-03-0123	18	26	31	6	115	76
R0212-03-0124	18	26	31	6	135	76
R0212-03-0125	18	26	31	6	155	76
R0212-03-0126	18	26	31	6	55	86
R0212-03-0127	18	26	31	6	75	86
R0212-03-0128	18	26	31	6	95	86
R0212-03-0129	18	26	31	6	115	86
R0212-03-0130	18	26	31	6	135	86
R0212-03-0131	18	26	31	6	155	86
R0212-03-0132	18	26	31	6	195	86
R0212-03-0134	18	26	31	6	55	96
R0212-03-0135	18	26	31	6	75	96
R0212-03-0136	18	26	31	6	95	96
R0212-03-0137	18	26	31	6	115	96
R0212-03-0138	18	26	31	6	75	116
R0212-03-0139	18	26	31	6	95	116
R0212-03-0140	18	26	31	6	115	116
R0212-03-0141	20	26	31	6	35	17
R0212-03-0142	20	26	31	6	55	17
R0212-03-0143	20	26	31	6	75	17
R0212-03-0144	20	26	31	6	95	17
R0212-03-0145	20	26	31	6	35	22
R0212-03-0146	20	26	31	6	55	22
R0212-03-0147	20	26	31	6	75	22
R0212-03-0148	20	26	31	6	95	22
R0212-03-0149	20	26	31	6	35	27
R0212-03-0150	20	26	31	6	55	27
R0212-03-0151	20	26	31	6	75	27
R0212-03-0152	20	26	31	6	95	27
R0212-03-0153	20	26	31	6	115	27
R0212-03-0154	20	26	31	6	155	27
R0212-03-0155	20	26	31	6	195	27
R0212-03-0156	20	26	31	6	235	27
R0212-03-0157	20	26	31	6	35	36
R0212-03-0158	20	26	31	6	55	36

Codice Code	D	D1	D2	K	L	L1
R0212-03-0159	20	26	31	6	75	36
R0212-03-0160	20	26	31	6	95	36
R0212-03-0161	20	26	31	6	115	36
R0212-03-0162	20	26	31	6	155	36
R0212-03-0163	20	26	31	6	195	36
R0212-03-0164	20	26	31	6	235	36
R0212-03-0165	20	26	31	6	35	46
R0212-03-0166	20	26	31	6	55	46
R0212-03-0167	20	26	31	6	75	46
R0212-03-0168	20	26	31	6	95	46
R0212-03-0169	20	26	31	6	115	46
R0212-03-0170	20	26	31	6	155	46
R0212-03-0171	20	26	31	6	195	46
R0212-03-0172	20	26	31	6	55	56
R0212-03-0173	20	26	31	6	75	56
R0212-03-0174	20	26	31	6	95	56
R0212-03-0175	20	26	31	6	115	56
R0212-03-0176	20	26	31	6	135	56
R0212-03-0647	20	26	31	6	55	66
R0212-03-0648	20	26	31	6	75	66
R0212-03-0649	20	26	31	6	95	66
R0212-03-0650	20	26	31	6	115	66
R0212-03-0651	20	26	31	6	135	66
R0212-03-0652	20	26	31	6	155	66
R0212-03-0653	20	26	31	6	195	76
R0212-03-0177	20	26	31	6	55	76
R0212-03-0178	20	26	31	6	75	76
R0212-03-0179	20	26	31	6	95	76
R0212-03-0180	20	26	31	6	115	76
R0212-03-0181	20	26	31	6	135	76
R0212-03-0182	20	26	31	6	155	76
R0212-03-0183	20	26	31	6	55	86
R0212-03-0184	20	26	31	6	75	86
R0212-03-0185	20	26	31	6	95	86
R0212-03-0186	20	26	31	6	115	86
R0212-03-0187	20	26	31	6	135	86
R0212-03-0188	20	26	31	6	155	86
R0212-03-0189	20	26	31	6	195	86
R0212-03-0190	20	26	31	6	55	96
R0212-03-0191	20	26	31	6	75	96
R0212-03-0192	20	26	31	6	95	96
R0212-03-0193	20	26	31	6	115	96
R0212-03-0194	20	26	31	6	75	116
R0212-03-0195	20	26	31	6	95	116
R0212-03-0196	20	26	31	6	115	116
R0212-03-0197	22	30	35	6	35	22
R0212-03-0198	22	30	35	6	55	22
R0212-03-0199	22	30	35	6	75	22
R0212-03-0200	22	30	35	6	95	22
R0212-03-0201	22	30	35	6	115	22
R0212-03-0202	22	30	35	6	35	27
R0212-03-0203	22	30	35	6	55	27
R0212-03-0204	22	30	35	6	75	27
R0212-03-0205	22	30	35	6	95	27
R0212-03-0206	22	30	35	6	115	27
R0212-03-0207	22	30	35	6	155	27
R0212-03-0208	22	30	35	6	195	27
R0212-03-0209	22	30	35	6	35	36
R0212-03-0210	22	30	35	6	55	36
R0212-03-0211	22	30	35	6	75	36
R0212-03-0212	22	30	35	6	95	36
R0212-03-0213	22	30	35	6	115	36
R0212-03-0214	22	30	35	6	155	36
R0212-03-0215	22	30	35	6	195	36
R0212-03-0216	22	30	35	6	235	36
R0212-03-0217	22	30	35	6	35	46
R0212-03-0218	22	30	35	6	55	46
R0212-03-0219	22	30	35	6	75	46
R0212-03-0220	22	30	35	6	95	46
R0212-03-0221	22	30	35	6	115	46
R0212-03-0222	22	30	35	6	155	46
R0212-03-0223	22	30	35	6	195	46

R0212

Colonna di guida a due diametri

Two diameters shouldered guide pillar

Codice Code	D	D1	D2	K	L	L1
R0212-03-0224	22	30	35	6	235	46
R0212-03-0225	22	30	35	6	55	56
R0212-03-0226	22	30	35	6	75	56
R0212-03-0227	22	30	35	6	95	56
R0212-03-0228	22	30	35	6	115	56
R0212-03-0229	22	30	35	6	155	56
R0212-03-0230	22	30	35	6	195	56
R0212-03-0231	22	30	35	6	55	66
R0212-03-0232	22	30	35	6	75	66
R0212-03-0233	22	30	35	6	95	66
R0212-03-0234	22	30	35	6	115	66
R0212-03-0235	22	30	35	6	55	76
R0212-03-0236	22	30	35	6	75	76
R0212-03-0237	22	30	35	6	95	76
R0212-03-0238	22	30	35	6	115	76
R0212-03-0239	22	30	35	6	135	76
R0212-03-0240	22	30	35	6	75	86
R0212-03-0241	22	30	35	6	95	86
R0212-03-0242	22	30	35	6	115	86
R0212-03-0243	22	30	35	6	135	86
R0212-03-0244	22	30	35	6	155	86
R0212-03-0245	22	30	35	6	195	86
R0212-03-0246	22	30	35	6	75	96
R0212-03-0247	22	30	35	6	95	96
R0212-03-0248	22	30	35	6	115	96
R0212-03-0249	22	30	35	6	135	96
R0212-03-0250	22	30	35	6	155	96
R0212-03-0251	22	30	35	6	195	96
R0212-03-0252	22	30	35	6	75	116
R0212-03-0253	22	30	35	6	95	116
R0212-03-0254	22	30	35	6	115	116
R0212-03-0255	22	30	35	6	135	116
R0212-03-0256	22	30	35	6	155	116
R0212-03-0257	22	30	35	6	195	116
R0212-03-0258	22	30	35	6	95	136
R0212-03-0259	22	30	35	6	115	136
R0212-03-0260	22	30	35	6	155	136
R0212-03-0261	22	30	35	6	115	156
R0212-03-0262	22	30	35	6	155	156
R0212-03-0263	24	30	35	6	35	22
R0212-03-0264	24	30	35	6	55	22
R0212-03-0265	24	30	35	6	75	22
R0212-03-0266	24	30	35	6	95	22
R0212-03-0267	24	30	35	6	115	22
R0212-03-0268	24	30	35	6	35	27
R0212-03-0269	24	30	35	6	55	27
R0212-03-0270	24	30	35	6	75	27
R0212-03-0271	24	30	35	6	95	27
R0212-03-0272	24	30	35	6	115	27
R0212-03-0273	24	30	35	6	155	27
R0212-03-0274	24	30	35	6	195	27
R0212-03-0275	24	30	35	6	35	36
R0212-03-0276	24	30	35	6	55	36
R0212-03-0277	24	30	35	6	75	36
R0212-03-0278	24	30	35	6	95	36
R0212-03-0279	24	30	35	6	115	36
R0212-03-0280	24	30	35	6	155	36
R0212-03-0281	24	30	35	6	195	36
R0212-03-0282	24	30	35	6	235	36
R0212-03-0283	24	30	35	6	35	46
R0212-03-0284	24	30	35	6	55	46
R0212-03-0285	24	30	35	6	75	46
R0212-03-0286	24	30	35	6	95	46
R0212-03-0287	24	30	35	6	115	46
R0212-03-0288	24	30	35	6	155	46
R0212-03-0289	24	30	35	6	195	46
R0212-03-0290	24	30	35	6	235	46
R0212-03-0291	24	30	35	6	55	56
R0212-03-0292	24	30	35	6	75	56
R0212-03-0293	24	30	35	6	95	56
R0212-03-0294	24	30	35	6	115	56
R0212-03-0295	24	30	35	6	155	56

Codice Code	D	D1	D2	K	L	L1
R0212-03-0296	24	30	35	6	195	56
R0212-03-0297	24	30	35	6	55	66
R0212-03-0298	24	30	35	6	75	66
R0212-03-0299	24	30	35	6	95	66
R0212-03-0300	24	30	35	6	115	66
R0212-03-0301	24	30	35	6	55	76
R0212-03-0302	24	30	35	6	75	76
R0212-03-0303	24	30	35	6	95	76
R0212-03-0304	24	30	35	6	115	76
R0212-03-0305	24	30	35	6	135	76
R0212-03-0306	24	30	35	6	75	86
R0212-03-0307	24	30	35	6	95	86
R0212-03-0308	24	30	35	6	115	86
R0212-03-0309	24	30	35	6	135	86
R0212-03-0310	24	30	35	6	155	86
R0212-03-0311	24	30	35	6	195	86
R0212-03-0312	24	30	35	6	75	96
R0212-03-0313	24	30	35	6	95	96
R0212-03-0314	24	30	35	6	115	96
R0212-03-0315	24	30	35	6	135	96
R0212-03-0316	24	30	35	6	155	96
R0212-03-0317	24	30	35	6	195	96
R0212-03-0318	24	30	35	6	75	116
R0212-03-0319	24	30	35	6	95	116
R0212-03-0320	24	30	35	6	115	116
R0212-03-0321	24	30	35	6	135	116
R0212-03-0322	24	30	35	6	155	116
R0212-03-0323	24	30	35	6	195	116
R0212-03-0324	24	30	35	6	95	136
R0212-03-0325	24	30	35	6	115	136
R0212-03-0326	24	30	35	6	155	136
R0212-03-0327	24	30	35	6	115	156
R0212-03-0328	24	30	35	6	155	156
R0212-03-0329	30	42	47	6	55	27
R0212-03-0330	30	42	47	6	75	27
R0212-03-0331	30	42	47	6	95	27
R0212-03-0332	30	42	47	6	115	27
R0212-03-0333	30	42	47	6	155	27
R0212-03-0334	30	42	47	6	195	27
R0212-03-0335	30	42	47	6	235	27
R0212-03-0336	30	42	47	6	55	36
R0212-03-0337	30	42	47	6	75	36
R0212-03-0338	30	42	47	6	95	36
R0212-03-0339	30	42	47	6	115	36
R0212-03-0340	30	42	47	6	155	36
R0212-03-0341	30	42	47	6	195	36
R0212-03-0342	30	42	47	6	55	46
R0212-03-0343	30	42	47	6	75	46
R0212-03-0344	30	42	47	6	95	46
R0212-03-0345	30	42	47	6	115	46
R0212-03-0346	30	42	47	6	155	46
R0212-03-0347	30	42	47	6	195	46
R0212-03-0348	30	42	47	6	235	46
R0212-03-0349	30	42	47	6	55	56
R0212-03-0350	30	42	47	6	75	56
R0212-03-0351	30	42	47	6	95	56
R0212-03-0352	30	42	47	6	115	56
R0212-03-0353	30	42	47	6	155	56
R0212-03-0354	30	42	47	6	195	56
R0212-03-0355	30	42	47	6	55	66
R0212-03-0356	30	42	47	6	75	66
R0212-03-0357	30	42	47	6	95	66
R0212-03-0358	30	42	47	6	115	66
R0212-03-0359	30	42	47	6	155	66
R0212-03-0360	30	42	47	6	195	66
R0212-03-0361	30	42	47	6	55	76
R0212-03-0362	30	42	47	6	75	76
R0212-03-0363	30	42	47	6	95	76
R0212-03-0364	30	42	47	6	115	76
R0212-03-0365	30	42	47	6	155	76
R0212-03-0366	30	42	47	6	195	76
R0212-03-0367	30	42	47	6	75	86

R0212

Colonna di guida a due diametri

Two diameters shouldered guide pillar

Codice Code	D	D1	D2	K	L	L1
R0212-03-0368	30	42	47	6	95	86
R0212-03-0369	30	42	47	6	115	86
R0212-03-0370	30	42	47	6	155	86
R0212-03-0371	30	42	47	6	195	86
R0212-03-0372	30	42	47	6	75	96
R0212-03-0373	30	42	47	6	95	96
R0212-03-0374	30	42	47	6	115	96
R0212-03-0375	30	42	47	6	155	96
R0212-03-0376	30	42	47	6	195	96
R0212-03-0377	30	42	47	6	75	116
R0212-03-0378	30	42	47	6	95	116
R0212-03-0379	30	42	47	6	115	116
R0212-03-0380	30	42	47	6	155	116
R0212-03-0381	30	42	47	6	95	136
R0212-03-0382	30	42	47	6	115	136
R0212-03-0383	30	42	47	6	155	136
R0212-03-0384	30	42	47	6	115	156
R0212-03-0385	30	42	47	6	155	156
R0212-03-0386	30	42	47	6	115	196
R0212-03-0387	30	42	47	6	155	196
R0212-03-0388	30	42	47	6	195	196
R0212-03-0389	32	42	47	6	55	27
R0212-03-0390	32	42	47	6	75	27
R0212-03-0391	32	42	47	6	95	27
R0212-03-0392	32	42	47	6	115	27
R0212-03-0393	32	42	47	6	155	27
R0212-03-0394	32	42	47	6	195	27
R0212-03-0395	32	42	47	6	235	27
R0212-03-0396	32	42	47	6	55	36
R0212-03-0397	32	42	47	6	75	36
R0212-03-0398	32	42	47	6	95	36
R0212-03-0399	32	42	47	6	115	36
R0212-03-0400	32	42	47	6	155	36
R0212-03-0401	32	42	47	6	195	36
R0212-03-0402	32	42	47	6	55	46
R0212-03-0403	32	42	47	6	75	46
R0212-03-0404	32	42	47	6	95	46
R0212-03-0405	32	42	47	6	115	46
R0212-03-0406	32	42	47	6	155	46
R0212-03-0407	32	42	47	6	195	46
R0212-03-0408	32	42	47	6	235	46
R0212-03-0409	32	42	47	6	55	56
R0212-03-0410	32	42	47	6	75	56
R0212-03-0411	32	42	47	6	95	56
R0212-03-0412	32	42	47	6	115	56
R0212-03-0413	32	42	47	6	155	56
R0212-03-0414	32	42	47	6	195	56
R0212-03-0415	32	42	47	6	55	66
R0212-03-0416	32	42	47	6	75	66
R0212-03-0417	32	42	47	6	95	66
R0212-03-0418	32	42	47	6	115	66
R0212-03-0419	32	42	47	6	155	66
R0212-03-0420	32	42	47	6	195	66
R0212-03-0421	32	42	47	6	55	76
R0212-03-0422	32	42	47	6	75	76
R0212-03-0423	32	42	47	6	95	76
R0212-03-0424	32	42	47	6	115	76
R0212-03-0425	32	42	47	6	155	76
R0212-03-0426	32	42	47	6	195	76
R0212-03-0427	32	42	47	6	75	86
R0212-03-0428	32	42	47	6	95	86
R0212-03-0429	32	42	47	6	115	86
R0212-03-0430	32	42	47	6	155	86
R0212-03-0431	32	42	47	6	195	86
R0212-03-0432	32	42	47	6	75	96
R0212-03-0433	32	42	47	6	95	96
R0212-03-0434	32	42	47	6	115	96
R0212-03-0435	32	42	47	6	155	96
R0212-03-0436	32	42	47	6	195	96
R0212-03-0437	32	42	47	6	75	116
R0212-03-0438	32	42	47	6	95	116
R0212-03-0439	32	42	47	6	115	116

Codice Code	D	D1	D2	K	L	L1
R0212-03-0440	32	42	47	6	155	116
R0212-03-0441	32	42	47	6	95	136
R0212-03-0442	32	42	47	6	115	136
R0212-03-0443	32	42	47	6	155	136
R0212-03-0444	32	42	47	6	115	156
R0212-03-0445	32	42	47	6	155	156
R0212-03-0446	32	42	47	6	115	196
R0212-03-0447	32	42	47	6	155	196
R0212-03-0448	32	42	47	6	195	196
R0212-03-0449	40	54	59	10	75	36
R0212-03-0450	40	54	59	10	95	36
R0212-03-0451	40	54	59	10	115	36
R0212-03-0452	40	54	59	10	155	36
R0212-03-0453	40	54	59	10	75	46
R0212-03-0454	40	54	59	10	95	46
R0212-03-0455	40	54	59	10	115	46
R0212-03-0456	40	54	59	10	155	46
R0212-03-0457	40	54	59	10	75	56
R0212-03-0458	40	54	59	10	95	56
R0212-03-0459	40	54	59	10	115	56
R0212-03-0460	40	54	59	10	155	56
R0212-03-0461	40	54	59	10	75	66
R0212-03-0462	40	54	59	10	95	66
R0212-03-0463	40	54	59	10	115	66
R0212-03-0464	40	54	59	10	155	66
R0212-03-0465	40	54	59	10	75	76
R0212-03-0466	40	54	59	10	95	76
R0212-03-0467	40	54	59	10	115	76
R0212-03-0468	40	54	59	10	155	76
R0212-03-0469	40	54	59	10	75	86
R0212-03-0470	40	54	59	10	95	86
R0212-03-0471	40	54	59	10	115	86
R0212-03-0472	40	54	59	10	155	86
R0212-03-0473	40	54	59	10	75	96
R0212-03-0474	40	54	59	10	95	96
R0212-03-0475	40	54	59	10	115	96
R0212-03-0476	40	54	59	10	155	96
R0212-03-0477	40	54	59	10	75	116
R0212-03-0478	40	54	59	10	95	116
R0212-03-0479	40	54	59	10	115	116
R0212-03-0480	40	54	59	10	155	116
R0212-03-0481	40	54	59	10	95	136
R0212-03-0482	40	54	59	10	115	136
R0212-03-0483	40	54	59	10	155	136
R0212-03-0484	40	54	59	10	195	136
R0212-03-0485	40	54	59	10	115	156
R0212-03-0486	40	54	59	10	155	156
R0212-03-0487	40	54	59	10	195	156
R0212-03-0488	40	54	59	10	115	176
R0212-03-0489	40	54	59	10	155	176
R0212-03-0490	40	54	59	10	195	176
R0212-03-0491	40	54	59	10	115	196
R0212-03-0492	40	54	59	10	155	196
R0212-03-0493	40	54	59	10	195	196
R0212-03-0494	40	54	59	10	195	216
R0212-03-0495	40	54	59	10	215	216
R0212-03-0496	40	54	59	10	215	246
R0212-03-0497	40	54	59	10	245	246
R0212-03-0498	42	54	59	10	75	36
R0212-03-0499	42	54	59	10	95	36
R0212-03-0500	42	54	59	10	115	36
R0212-03-0501	42	54	59	10	155	36
R0212-03-0502	42	54	59	10	75	46
R0212-03-0503	42	54	59	10	95	46
R0212-03-0504	42	54	59	10	115	46
R0212-03-0505	42	54	59	10	155	46
R0212-03-0506	42	54	59	10	75	56
R0212-03-0507	42	54	59	10	95	56
R0212-03-0508	42	54	59	10	115	56
R0212-03-0509	42	54	59	10	155	56
R0212-03-0510	42	54	59	10	75	66
R0212-03-0511	42	54	59	10	95	66

R0212

Colonna di guida a due diametri

Two diameters shouldered guide pillar

Codice Code	D	D1	D2	K	L	L1
R0212-03-0512	42	54	59	10	115	66
R0212-03-0513	42	54	59	10	155	66
R0212-03-0514	42	54	59	10	75	76
R0212-03-0515	42	54	59	10	95	76
R0212-03-0516	42	54	59	10	115	76
R0212-03-0517	42	54	59	10	155	76
R0212-03-0518	42	54	59	10	75	86
R0212-03-0519	42	54	59	10	95	86
R0212-03-0520	42	54	59	10	115	86
R0212-03-0521	42	54	59	10	155	86
R0212-03-0522	42	54	59	10	75	96
R0212-03-0523	42	54	59	10	95	96
R0212-03-0524	42	54	59	10	115	96
R0212-03-0525	42	54	59	10	155	96
R0212-03-0526	42	54	59	10	75	116
R0212-03-0527	42	54	59	10	95	116
R0212-03-0528	42	54	59	10	115	116
R0212-03-0529	42	54	59	10	155	116
R0212-03-0530	42	54	59	10	95	136
R0212-03-0531	42	54	59	10	115	136
R0212-03-0532	42	54	59	10	155	136
R0212-03-0533	42	54	59	10	195	136
R0212-03-0534	42	54	59	10	115	156
R0212-03-0535	42	54	59	10	155	156
R0212-03-0536	42	54	59	10	195	156
R0212-03-0537	42	54	59	10	115	176
R0212-03-0538	42	54	59	10	155	176
R0212-03-0539	42	54	59	10	195	176
R0212-03-0540	42	54	59	10	115	196
R0212-03-0541	42	54	59	10	155	196
R0212-03-0542	42	54	59	10	195	196
R0212-03-0543	42	54	59	10	195	216
R0212-03-0544	42	54	59	10	215	216
R0212-03-0545	42	54	59	10	215	246
R0212-03-0546	42	54	59	10	245	246
R0212-03-0547	50	66	71	10	75	76
R0212-03-0548	50	66	71	10	95	76
R0212-03-0549	50	66	71	10	115	76
R0212-03-0550	50	66	71	10	135	76
R0212-03-0551	50	66	71	10	155	76
R0212-03-0552	50	66	71	10	175	76
R0212-03-0553	50	66	71	10	195	76
R0212-03-0554	50	66	71	10	95	96
R0212-03-0555	50	66	71	10	115	96
R0212-03-0556	50	66	71	10	135	96
R0212-03-0557	50	66	71	10	155	96
R0212-03-0558	50	66	71	10	175	96
R0212-03-0559	50	66	71	10	195	96
R0212-03-0560	50	66	71	10	215	96
R0212-03-0561	50	66	71	10	115	116
R0212-03-0562	50	66	71	10	135	116
R0212-03-0563	50	66	71	10	155	116
R0212-03-0564	50	66	71	10	175	116
R0212-03-0565	50	66	71	10	195	116
R0212-03-0566	50	66	71	10	215	116
R0212-03-0567	50	66	71	10	115	136
R0212-03-0568	50	66	71	10	135	136
R0212-03-0569	50	66	71	10	155	136
R0212-03-0570	50	66	71	10	175	136
R0212-03-0571	50	66	71	10	195	136
R0212-03-0572	50	66	71	10	215	136
R0212-03-0573	50	66	71	10	135	156
R0212-03-0574	50	66	71	10	155	156
R0212-03-0575	50	66	71	10	175	156

Codice Code	D	D1	D2	K	L	L1
R0212-03-0576	50	66	71	10	195	156
R0212-03-0577	50	66	71	10	215	156
R0212-03-0578	50	66	71	10	155	176
R0212-03-0579	50	66	71	10	175	176
R0212-03-0580	50	66	71	10	195	176
R0212-03-0581	50	66	71	10	215	176
R0212-03-0613	50	66	71	10	245	176
R0212-03-0619	50	66	71	10	155	196
R0212-03-0620	50	66	71	10	175	196
R0212-03-0621	50	66	71	10	195	196
R0212-03-0622	50	66	71	10	215	196
R0212-03-0623	50	66	71	10	245	196
R0212-03-0629	50	66	71	10	155	216
R0212-03-0630	50	66	71	10	175	216
R0212-03-0631	50	66	71	10	195	216
R0212-03-0632	50	66	71	10	215	216
R0212-03-0633	50	66	71	10	245	216
R0212-03-0639	50	66	71	10	175	246
R0212-03-0640	50	66	71	10	195	246
R0212-03-0641	50	66	71	10	215	246
R0212-03-0642	50	66	71	10	245	246
R0212-03-0582	52	66	71	10	75	76
R0212-03-0583	52	66	71	10	95	76
R0212-03-0584	52	66	71	10	115	76
R0212-03-0585	52	66	71	10	135	76
R0212-03-0586	52	66	71	10	155	76
R0212-03-0587	52	66	71	10	175	76
R0212-03-0588	52	66	71	10	195	76
R0212-03-0589	52	66	71	10	95	96
R0212-03-0590	52	66	71	10	115	96
R0212-03-0591	52	66	71	10	135	96
R0212-03-0592	52	66	71	10	155	96
R0212-03-0593	52	66	71	10	175	96
R0212-03-0594	52	66	71	10	195	96
R0212-03-0595	52	66	71	10	215	96
R0212-03-0596	52	66	71	10	115	116
R0212-03-0597	52	66	71	10	135	116
R0212-03-0598	52	66	71	10	155	116
R0212-03-0599	52	66	71	10	175	116
R0212-03-0600	52	66	71	10	195	116
R0212-03-0601	52	66	71	10	215	116
R0212-03-0602	52	66	71	10	115	136
R0212-03-0603	52	66	71	10	135	136
R0212-03-0604	52	66	71	10	155	136
R0212-03-0605	52	66	71	10	175	136
R0212-03-0606	52	66	71	10	195	136
R0212-03-0607	52	66	71	10	215	136
R0212-03-0608	52	66	71	10	135	156
R0212-03-0609	52	66	71	10	155	156
R0212-03-0610	52	66	71	10	175	156
R0212-03-0611	52	66	71	10	195	156
R0212-03-0612	52	66	71	10	215	156
R0212-03-0614	52	66	71	10	155	176
R0212-03-0615	52	66	71	10	175	176
R0212-03-0616	52	66	71	10	195	176
R0212-03-0617	52	66	71	10	215	176
R0212-03-0618	52	66	71	10	245	176
R0212-03-0624	52	66	71	10	155	196
R0212-03-0625	52	66	71	10	175	196
R0212-03-0626	52	66	71	10	195	196
R0212-03-0627	52	66	71	10	215	196
R0212-03-0628	52	66	71	10	245	196
R0212-03-0634	52	66	71	10	155	216
R0212-03-0635	52	66	71	10	175	216
R0212-03-0636	52	66	71	10	195	216
R0212-03-0637	52	66	71	10	215	216
R0212-03-0638	52	66	71	10	245	216
R0212-03-0643	52	66	71	10	175	246
R0212-03-0644	52	66	71	10	195	246
R0212-03-0645	52	66	71	10	215	246
R0212-03-0646	52	66	71	10	245	246