



**BMW STANDARDS
BMW STANDARTLARI
BMW NORMALIEN**

1

INDEX
İNDEKS
STICHWORTVERZEICHNIS

2

LIFTING ELEMENTS
TAŞIMA ELEMANLARI
TRAGELEMENTE

3

GUIDE ELEMENTS
KILAVUZ ELEMANLARI
FÜHRUNGSELEMENTE

4

DIE COMPONENTS
KALIP ELEMANLARI
NORMALIEN

5

BMW STANDARDS
BMW STANDARTLARI
BMW NORMALIEN

6

FCA STANDARDS
FCA STANDARTLARI
FCA NORMALIEN

7

FORD STANDARDS
FORD STANDARTLARI
FORD NORMALIEN

8

MERCEDES-BENZ STANDARDS
MERCEDES-BENZ STANDARTLARI
MERCEDES-BENZ NORMALIEN

9

OPEL STANDARDS
OPEL STANDARTLARI
OPEL NORMALIEN

10

PSA STANDARDS
PSA STANDARTLARI
PSA NORMALIEN

11

RENAULT STANDARDS
RENAULT STANDARTLARI
RENAULT NORMALIEN

12

VW - AUDI STANDARDS
VW - AUDI STANDARTLARI
VW - AUDI NORMALIEN

13

SPRINGS
YAYLAR
FEDERN















14

OTHER COMPONENTS
DİĞER MALZEMELER
ANDERE KOMPONENTE


15

TECHNICAL DATA
TEKNİK BİLGİ
TECHNISCHE INFORMATIONEN









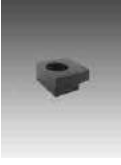





Index

Contents	Page	Contents	Page
 <p>B2 2101 16 Steel Bushes for Lifting Lugs Taşıma Milleri İçin Çelik Burçlar Buchse für Tragbolzen</p>	5.7	 <p>B2 2615 12a Air Pin Hava Pimi Druckbolzen</p>	5.10
 <p>B2 2305 17 Gage Hardened Sertleştirilmiş Mekanik Dayamalar Einweiser Gehärtet</p>	5.7	 <p>B2 2625 11 Retainer Tutucu Plaka Sicherungsplatte</p>	5.11
 <p>B2 2305 22 / B2 2305 23 Gage with panel position sensor, hardened Sertleştirilmiş Kontrol Parçalı Mekanik Dayamalar Einweiser für Teillagekontrolle Gehärtet</p>	5.8	 <p>B2 2625 11 Support Plate Destek Plakası Distanzkappe</p>	5.11
 <p>B2 2305 24 Gage with panel position sensor, hardened Sertleştirilmiş Kontrol Parçalı Mekanik Dayamalar Einweiser für Teillagekontrolle Gehärtet</p>	5.8	 <p>B2 2705 11 Bottoming Block Stoplama Bloğu Abstandsblock</p>	5.12
 <p>B2 2506 12 Hook for hinged gate Kanca Haken</p>	5.9	 <p>B2 2705 11 Bottoming Block Silindirik Stoplama Bloğu Abstandsblock</p>	5.12
 <p>B2 2604 12 Air Pin Hava Pimi Druckbolzen</p>	5.9	 <p>B2 2708 11 Spacer Kalıp Ayırma Bloğu Distanzstück</p>	5.13
 <p>B2 2615 12 Air Pin Hava Pimi Druckbolzen</p>	5.10	 <p>B2 2709 11 Backing Plate Altık Plakası Distanzkappe</p>	5.14

Index

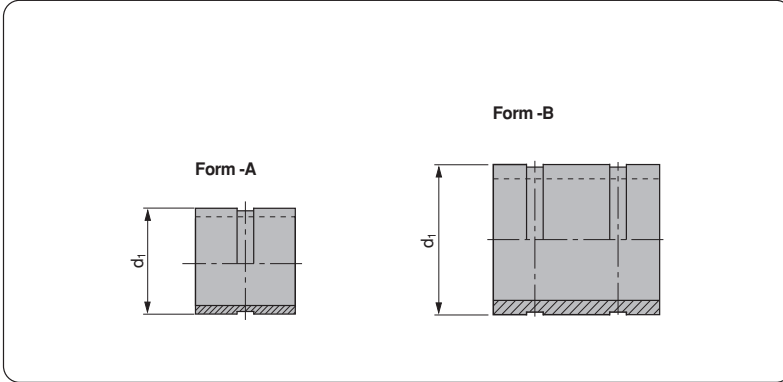
Contents	Page	Contents	Page
 <p>B2 2715 11 Locating Cone Konik Merkezeleme Ünitesi Zentriereinheiten mit Abstimscheibe</p>	5.15	 <p>B2 2933 1 Guide Bushes with collar, self-lubricating Faturalı Grafitli Kılavuz Burçlar Führungsbuchsen mit Bund</p>	5.21
 <p>B2 2715 11 Shim Ayar Plakası Abstimscheibe</p>	5.15	 <p>B2 2960 12 Wear Plates, self-lubricating Grafitli Bronz Kılavuz Plakalar Gleiplatte Bronze mit Festschmierstoff</p>	5.22
 <p>B2 2717 12a / B2 2717 13a Spacer Plates, toothed with adjusting plate Dişli Ayar Plakaları Distanzplatte Gezahnt</p>	5.16	 <p>B2 2960 12 Wear Plates, steel Çelik Kılavuz Plakalar Gleiplatte Stahl mit Festschmierstoff</p>	5.23
 <p>B2 2904 9 Retainer Tutucu Plaka Sicherungsplatte</p>	5.16	 <p>B2 2961 11 Wear Plates, self-lubricating Grafitli Bronz Kılavuz Plakalar Gleiplatte Bronze mit Festschmierstoff</p>	5.24
 <p>B2 2920 1 Guide Post Kılavuz Kolonu Führungssäule</p>	5.17- 5.18	 <p>B2 2961 11 Wear Plates, steel Çelik Kılavuz Plakalar Gleiplatte Stahl mit Festschmierstoff</p>	5.24
 <p>B2 2920 2 Guide Post Kılavuz Kolonu Führungssäule</p>	5.19- 5.20	 <p>B2 2969 11 Removable Die Heels, steel and self-lubricating Grafitli Çelik Kılavuz Plakalar Führungslaschen, Stahl mit Festschmierstoff</p>	5.25
 <p>B2 2920 1 / B2 2920 2 Washer Rondela Federscheibe</p>	5.21	 <p>B2 2975 11 Wear strip with two slide surfaces Bronz Grafitli Kılavuz Plakalar Gleitleiste, mit zwei Gleiflächen</p>	5.25

Index

Contents	Page	Contents	Page
 <p>B2 2978 20 "V" Driver Sets with replaceable inserts with positive return Değiştirilebilir Plakalı "V" Blok Setleri Prismenführungssatz mit Auswechselbaren Gleitleisten und Zwangsrückholung</p>	5.26	 <p>B2 3602 15 Shim Boşluk Ayar Plakası Ausgleichscheibe</p>	5.30
 <p>B2 2978 21 "V" Driver, self-lubricating Bronz Grafitli "V" Blok Prismenführungen Bronze mit Festschmierstoff</p>	5.27	 <p>B2 3765 1 Key Kama Passfeder</p>	5.31
 <p>B2 2978 21 "V" Driver, steel "V" Bloklar, çelik Prismenführungen, stahl</p>	5.27	 <p>B2 3925 11 Pin for Elastomer Springs Elastomer Yaylar İçin Sabitleme Pimleri Aufnahmebolzen</p>	5.31
 <p>B2 2978 22 Shim Boşluk Ayar Plakası Ausgleichscheib</p>	5.28	 <p>B2 4010 1 Backing Plate Altlık Plakası Distanzkappe</p>	5.32
 <p>B2 2983 11 Toe Clamp Burç Tutucu Haltestück</p>	5.28	 <p>B2 4010 2 Backing Plate Altlık Plakası Distanzkappe</p>	5.32
 <p>B2 3001 20 Slide Stop Block Kızak Stoplama Bloğu Schieberanschlag</p>	5.29	 <p>B2 4068 2 Locating Pin Merkezleme Pimi Zentrierbolzen</p>	5.33
 <p>B2 3602 15 Visual Locator Setting Punch İz Zımbası Stempel f. Entgasungsnoppen</p>	5.30	 <p>B2 4069 1 Key Kama Passfeder</p>	5.33

Index

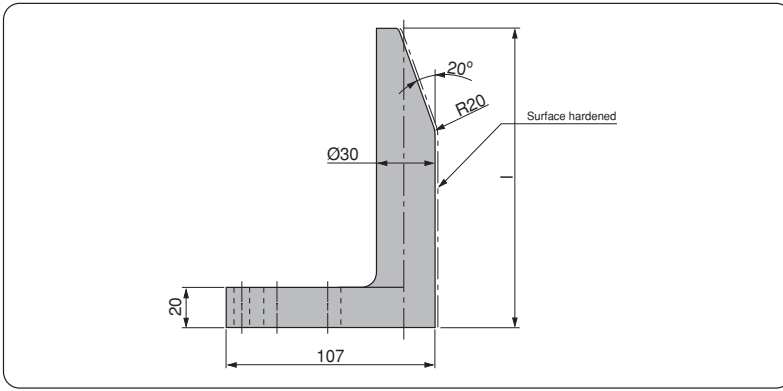
Contents	Page	Contents	Page
 <p>B2 5601 11 Lifting Pins Taşıma Milleri Tragbolzen Mit Fallringsicherung</p>	5.34	 <p>B2 6202 1 Buffer Elastomer Rondela Stossdämpfer</p>	5.40
 <p>B2 5602 11 Lifting Brackets with Rope Stop Safety Emniyet Plakalı Taşıma Braketleri Tragzapfen Mit Seilsicherung</p>	5.35	 <p>B2 6202 1 Washer Rondela Federschibe</p>	5.40
 <p>B2 5605 11 Lifting Brackets with pins Taşıma Braketleri Tragzapfen</p>	5.36	 <p>B2 6202 1 Washer Rondela Federschibe</p>	5.40
 <p>B2 5605 12 Lifting Pins Taşıma Milleri Tragbolzen Mit Fallringsicherung</p>	5.37	 <p>B2 6202 13 Washer Rondela Federschibe</p>	5.41
 <p>B2 5702 12 Pad Retainer Pins Emniyet Pimleri Steckbolzen</p>	5.38	 <p>B2 6204 12 Shock Absorber for Pad Retainer Pins Emniyet Pimleri İçin Amortisör Vulkolanlar Halteelement</p>	5.41
 <p>B2 6201 11 Washer Rondela Federschibe</p>	5.39		
 <p>B2 6201 12 Spacer Tubes Emniyet Setleri İçin Borular Distanzbuschse</p>	5.39		



Material :
Steel

BMW CODE:B2 2101 16

BMW ID Number	d ₁	Form
2 173 599	44	A
2 173 600	52	A
2 173 601	62	A
2 173 602	75	A
2 173 603	100	B
2 173 604	105	B



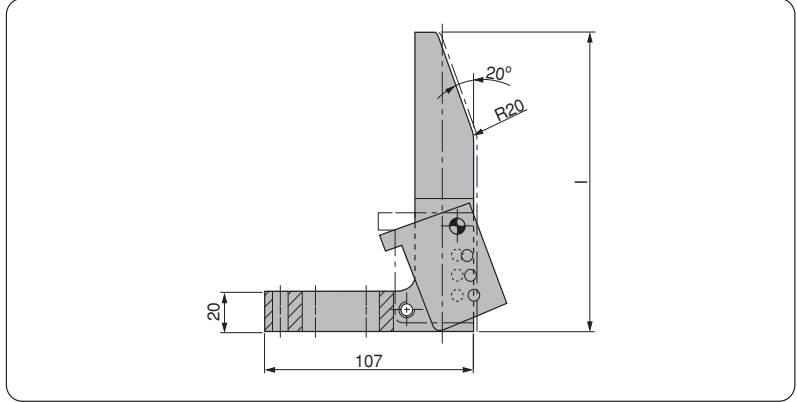
Material :
CK45
Forged
Hardened
HRC 50 ÷ 55

BMW CODE:B2 2305 17

BMW ID Number	l
2 173 835	65
2 173 836	90
2 173 837	120
2 173 838	150
2 173 839	180
2 173 840	250
2 175 127	300
2 175 128	350



Material :
CK45
Forged
Hardened
HRC 50 ÷ 55

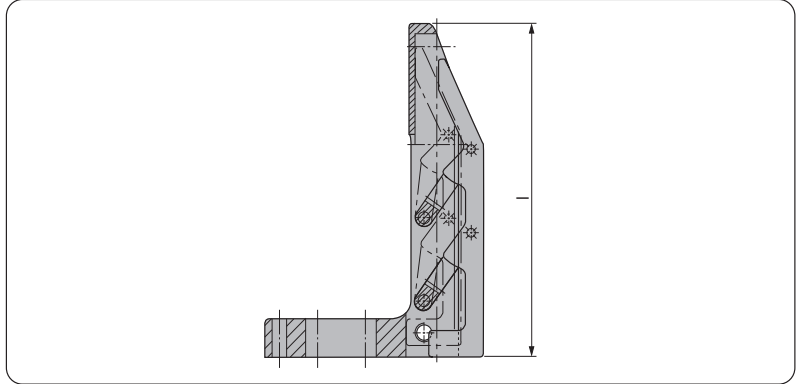


BMW CODE:B2 2305 22 / B2 2305 23

BMW ID Number	l	BMW ID Number	l
2 173 841	120	2 173 845	180
2 173 842	120	2 173 846	180
2 173 843	150	2 173 847	250
2 173 844	150	2 173 848	250

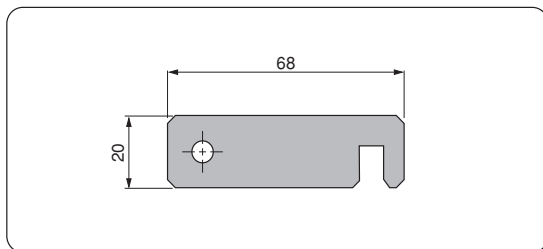


Material :
Steel
Forged



BMW CODE:B2 2305 24

BMW ID Number	l
2 173 849	120
2 173 850	150
2 173 851	180
2 173 852	250
2 173 853	250

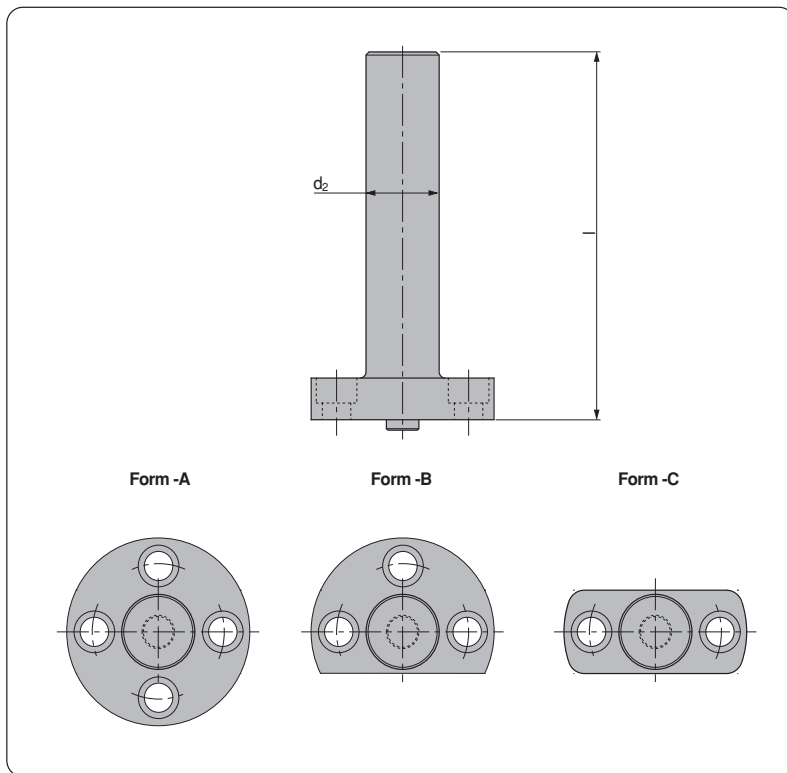


BMW ID Number
2 168 287

Material :
Steel



BMW CODE:B2 2506 12

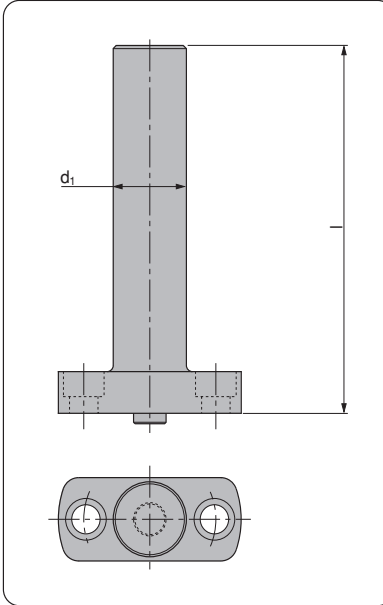


Material :
CK45
800 ÷ 1000 N/mm²
Forged

Order Example:
BMW ID Number+ l=290
Order Code:2168288L=290

BMW CODE:B2 2604 12

BMW ID Number	Form	d ₂	l	BMW ID Number	Form	d ₂	l
2 168 288	A	40	≤ 260	2 168 292	A	50	260 > l ≤ 380
2 172 200	B	40	≤ 260	2 172 208	B	50	260 > l ≤ 380
2 172 201	C	40	≤ 260	2 172 209	C	50	260 > l ≤ 380
2 168 291	A	40	≤ 260	2 168 293	A	50	> 380
2 172 206	B	50	≤ 260	2 172 210	B	50	> 380
2 172 207	C	40	≤ 260	2 172 211	C	50	> 380

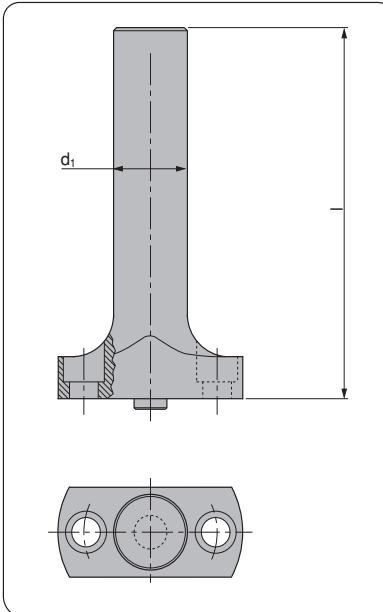


Material :
CK45
800 ÷ 1000 N/mm²
Forged

Order Example:
BMW ID Number+ l=290
Order Code:2168309L=290

BMW ID Number	d ₁	l
2 168 308	36	≤ 350
2 168 309	36	> 350
2 168 310	26	≤ 350
2 168 311	26	> 350

BMW CODE:B2 2615 12

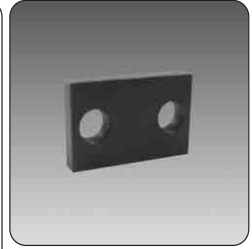
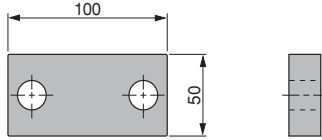


Material :
42CrMo4
800 ÷ 1000 N/mm²
Forged

Order Example:
BMW ID Number+ l=290
Order Code:2171904L=290

BMW ID Number	d ₁	l
2 171 903	36	≤ 180
2 171 904	36	> 180

BMW CODE:B2 2615 12a

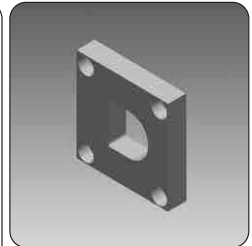
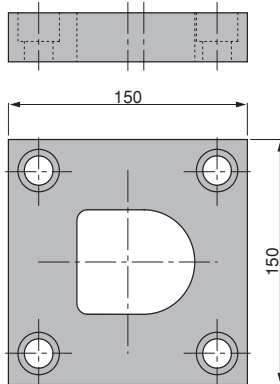


Material :
Steel

BMW CODE:B2 2625 11

BMW ID Number

2 171 716

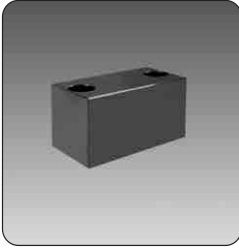


Material :
90MnCrV8
Hardened
HRC 58 ÷ 60

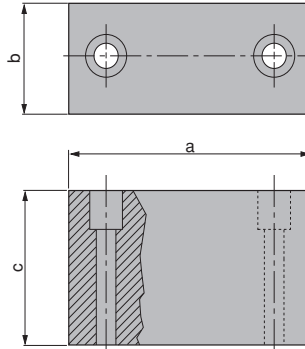
BMW CODE:B2 2625 11

BMW ID Number

2 172 935



Material :
Steel

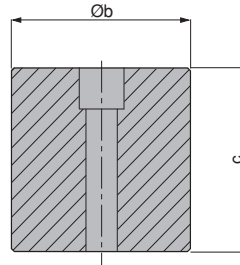


BMW CODE:B2 2705 11

BMW ID Number	a	b	c
2 175 074	65	30	30
2 175 075	65	30	50
2 175 076	100	40	30
2 175 077	100	40	50

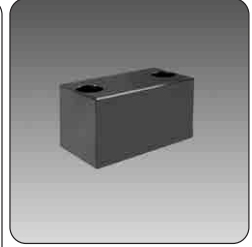
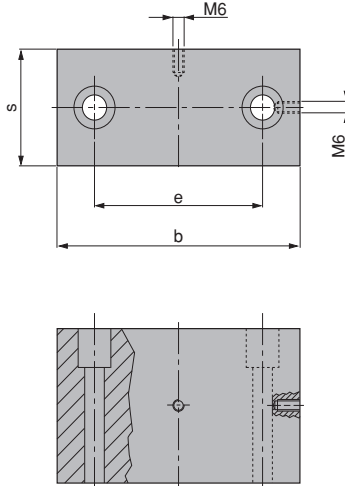


Material :
Steel



BMW CODE:B2 2705 11

BMW ID Number	b	c
2 172 078	40	30
2 172 079	40	50

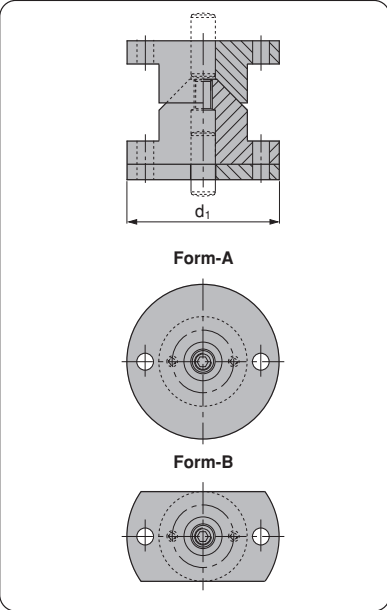


Material :
Steel

BMW CODE: B2 2708 11

BMW ID Number	b	e	s	Max. Load (kN)	BMW ID Number without thread M6	b	e	s	Max. Load (kN)
2 172 064	65	35	30	270	2 173 866	65	35	30	270
2 172 065	100	68	40	700	2 173 867	100	68	40	700
2 168 316	160	98	40	1100	2 173 868	160	98	40	1100
2 172 066	110	78	50	1000	2 173 869	110	78	50	1000
2 168 317	180	114	50	1600	2 173 870	180	114	50	1600
2 172 067	130	90	60	1500	2 173 871	130	90	60	1500
2 175 145	130	90	60	1500	2 175 146	130	90	60	1500
2 168 318	200	130	60	2300	2 173 872	200	130	60	2300
2 174 518	200	125	60	2300	2 174 519	200	125	60	2300
2 168 319	160	115	80	2350	2 173 873	160	115	80	2350
2 175 003	160	115	80	2350	2 175 004	160	115	80	2350
2 168 320	250	160	80	3650	2 173 874	250	160	80	3650
2 174 520	250	155	80	3650	2 174 521	250	155	80	3650

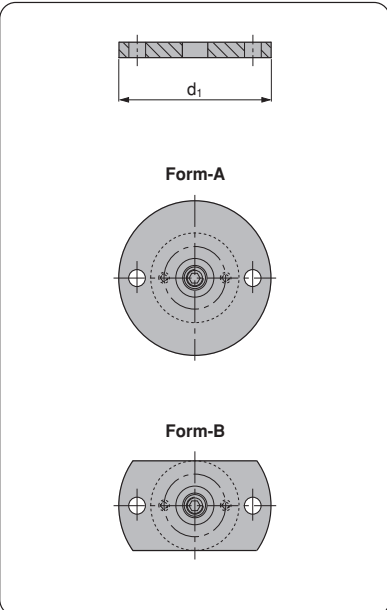
BMW ID Number	Form	d ₁
2 171 882	A	100
2 171 883	B	100
2 171 884	A	120
2 171 885	B	120



Material :
16MnCr5
Hardened
HRC : 62 ÷ 64

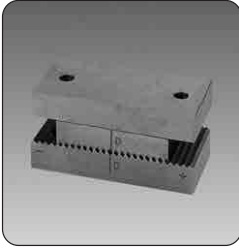
BMW CODE: B2 2715 11

BMW ID Number	Form	d ₁
2 171 886	A	100
2 171 887	B	100
2 171 888	A	120
2 171 889	B	120

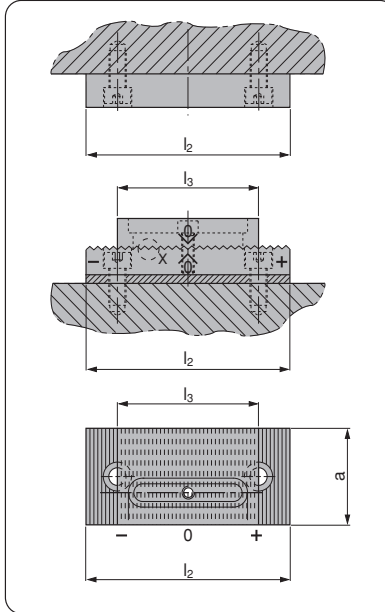


Material :
Steel

BMW CODE: B2 2715 11

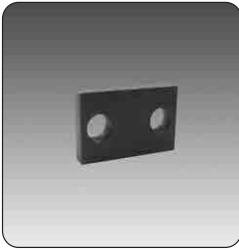


Material :
90MnCrV8
Hardened
HRC 58 ÷ 60

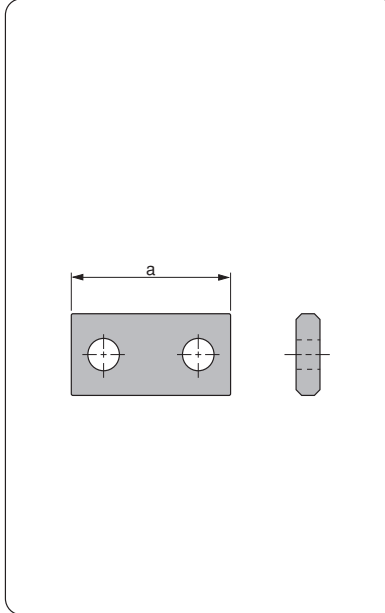


BMW ID Number	a	l ₂	l ₃
2 171 714	60	130	90
2 171 715	80	160	110

BMW CODE:B2 2717 12a / B2 2717 13a



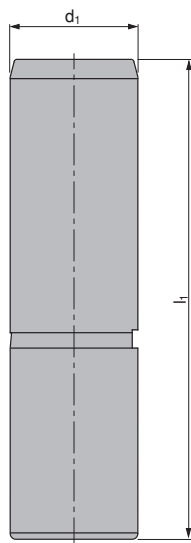
Material :
Steel



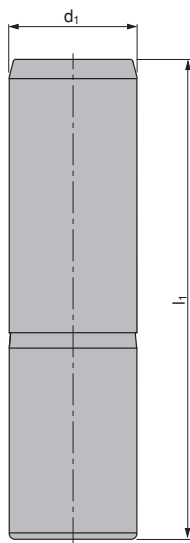
BMW ID Number	a	Guide Post Size Ø
2 174 516	40	25 ÷ 32
2 174 517	48	40 ÷ 50

BMW CODE:B2 2904 9

Form-A



Form-B



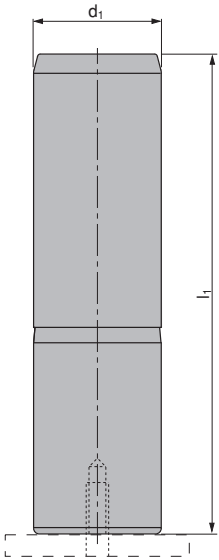
Material :
16MnCr5
Hardened
HRC : 60 ÷ 62

BMW CODE: B2 2920 1

BMW ID Number	Form	d_1	l_1
2 174 492	A	25	125
2 174 493	A	25	140
2 174 494	A	25	160
2 174 495	A	25	180
2 174 496	A	25	200
2 174 497	A	32	160
2 174 498	A	32	200
2 174 499	A	40	160
2 174 500	A	40	180
2 174 501	A	40	200
2 174 502	A	40	224
2 174 503	A	40	250
2 174 504	A	40	280
2 174 505	A	50	160
2 174 506	A	50	200
2 174 507	A	50	250
2 174 508	A	50	280
2 174 509	A	50	315
2 174 510	A	50	355
2 168 677	B	63	200
2 168 678	B	63	250
2 168 679	B	63	315
2 168 680	B	63	355

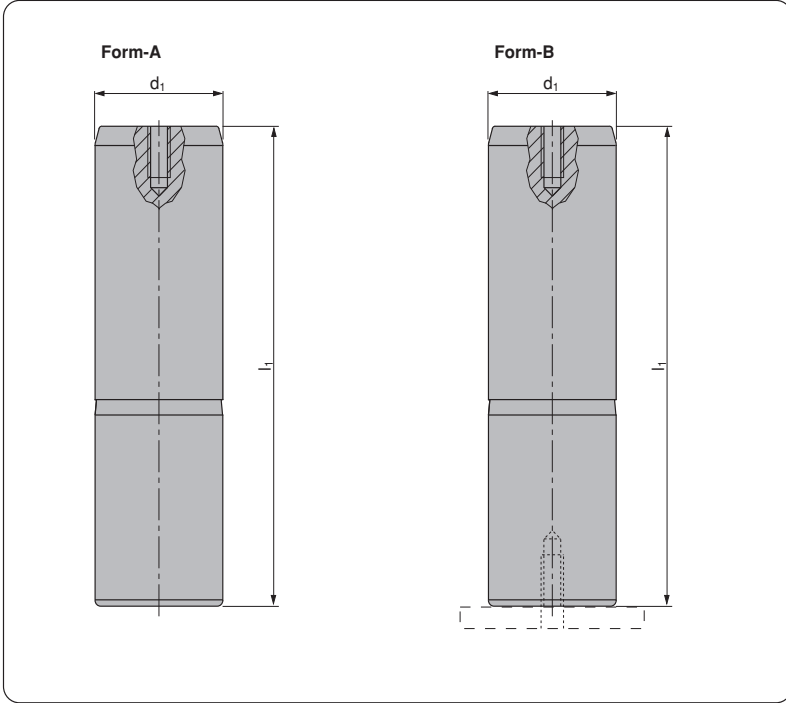


Material :
16MnCr5
Hardened
HRC : 60 ÷ 62



BMW CODE: B2 2920 1

BMW ID Number	d ₁	l ₁
2 173 906	40	160
2 173 907	40	180
2 173 908	40	200
2 173 909	40	224
2 173 910	40	250
2 173 911	40	280
2 173 913	50	160
2 173 914	50	200
2 173 915	50	250
2 173 916	50	280
2 173 917	50	315
2 173 918	50	355
2 173 920	63	200
2 173 921	63	250
2 175 086	63	280
2 173 922	63	315
2 173 923	63	355



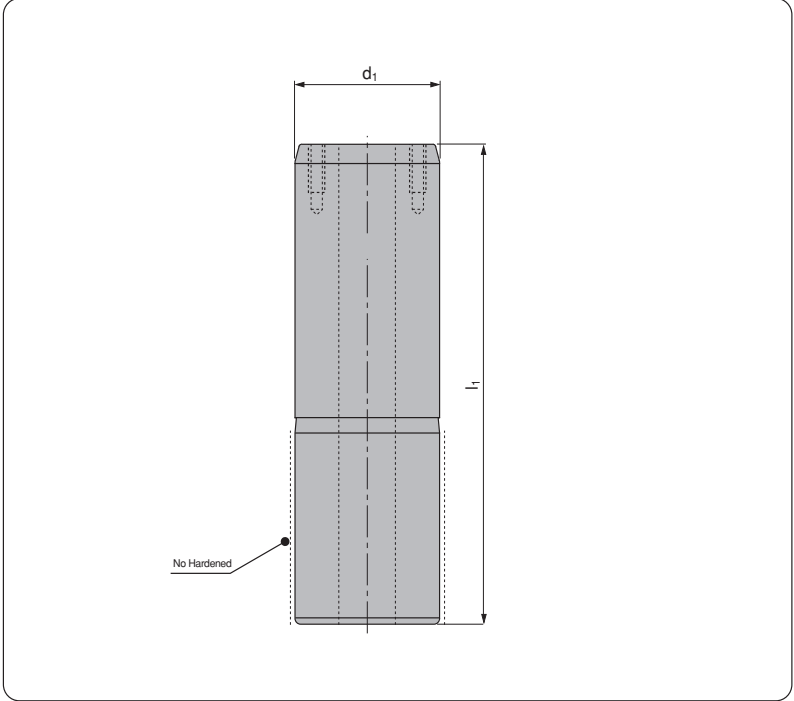
Material :
 16MnCr5
 Hardened
 HRC : 60 ÷ 62

BMW CODE:B2 2920 2

BMW ID Number	Form	d_1	l_1
2 168 682	A	80	250
2 168 684	A	80	280
2 168 686	A	80	315
2 168 688	A	80	355
2 173 926	B	80	250
2 173 927	B	80	280
2 173 928	B	80	315
2 173 929	B	80	355



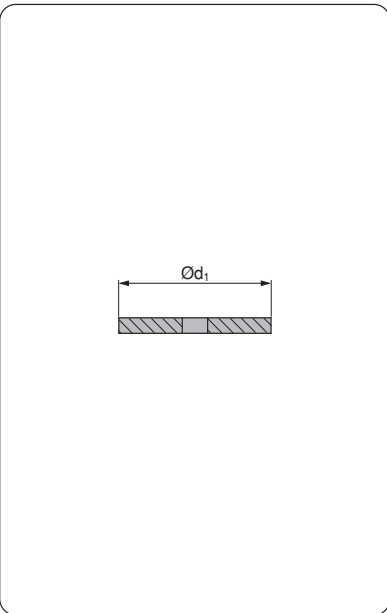
Material :
16MnCr5
Hardened
HRC : 60 ÷ 62



BMW CODE:B2 2920 2

BMW ID Number	d ₁	l ₁
2 174 777	100	280
2 174 778	100	315
2 171 214	100	355
2 171 216	100	400
2 171 218	125	355
2 172 239	125	400
2 171 220	125	450

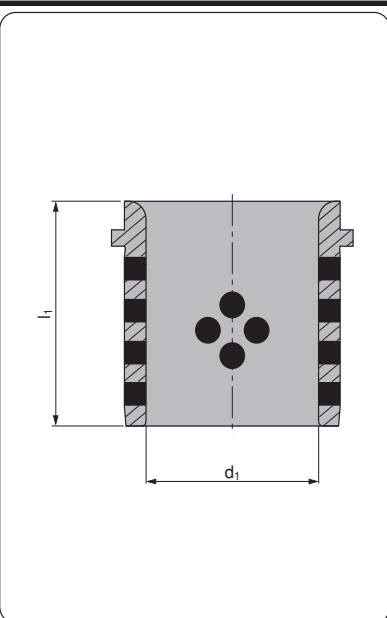
BMW ID Number	d ₁	Sheet
2 173 912	60	1
2 173 919	70	1
2 173 925	83	1
2 173 930	100	2



Material :
CK45

BMW CODE:B2 2920 1 / B2 2920 2

BMW ID Number	d ₁	l ₁
2 168 699	25	40
2 168 700	32	50
2 168 701	40	63
2 168 702	50	71
2 168 703	63	80
2 168 704	80	100
2 168 705	100	125
2 168 706	125	160
2 168 707	160	200

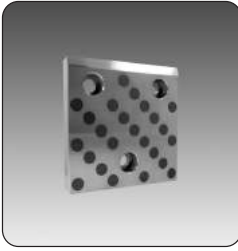


Material :
Bronze with Non-Liquid Lubricant
HB ≥ 190

Direction of Motion

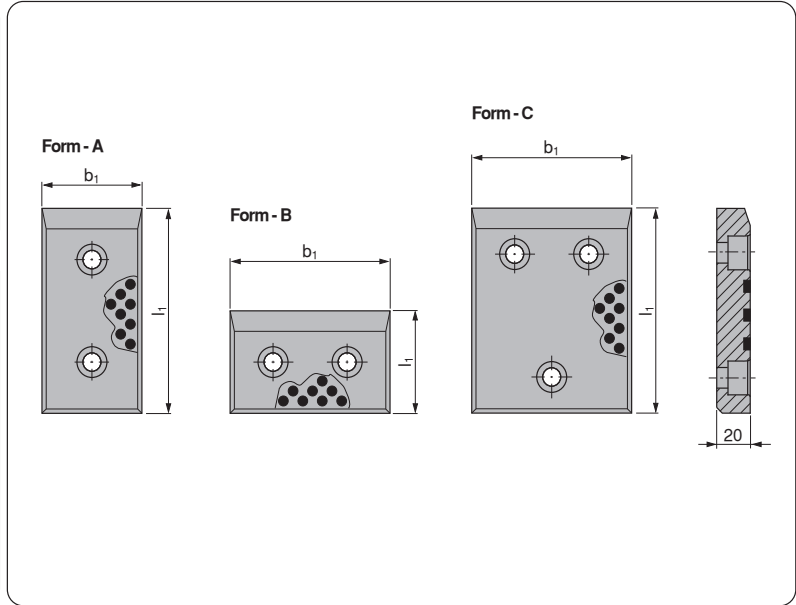
Direction of Motion is indicated by a vertical double-headed arrow pointing up and down.

BMW CODE:B2 2933 1



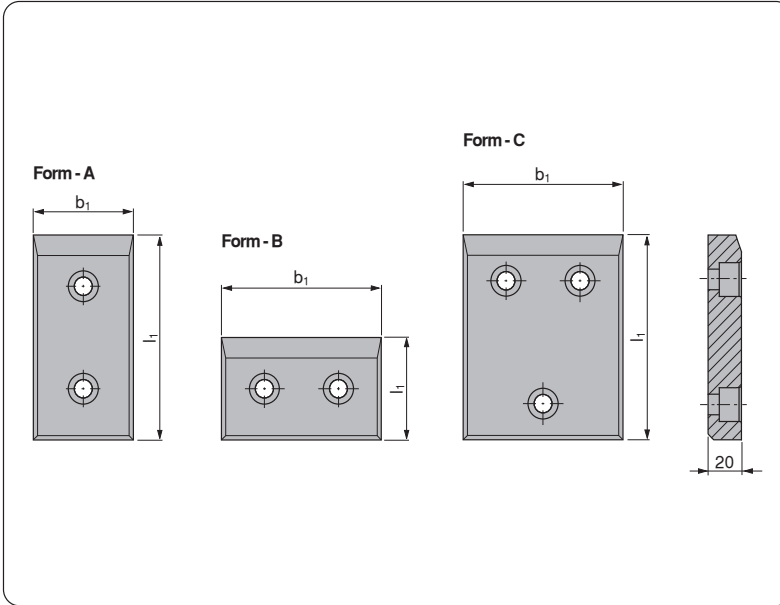
Material :
Bronze with Non-Liquid Lubricant
HB 190

Direction of Motion



BMW CODE:B2 2960 12

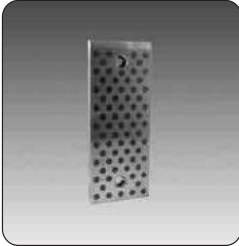
BMW ID Number	Form	b ₁	l ₁
2 168 337	A	50	80
2 168 338	A	50	100
2 168 339	A	50	125
2 168 340	A	50	160
2 168 341	A	50	200
2 168 342	B	80	50
2 168 343	A	80	80
2 168 344	A	80	100
2 168 345	A	80	125
2 168 346	A	80	160
2 168 347	A	80	200
2 168 348	B	100	50
2 168 349	B	100	80
2 168 350	A	100	100
2 168 351	A	100	125
2 168 352	A	100	160
2 168 353	A	100	200
2 168 354	B	125	50
2 168 355	B	125	80
2 168 356	C	125	100
2 168 357	C	125	125
2 168 358	C	125	160
2 168 359	C	125	200
2 168 360	B	160	50
2 168 361	B	160	80
2 168 362	C	160	100
2 168 363	C	160	125
2 168 364	C	160	160
2 168 365	C	160	200



Material :
16MnCr5
Hardened
HRC 60 ± 4

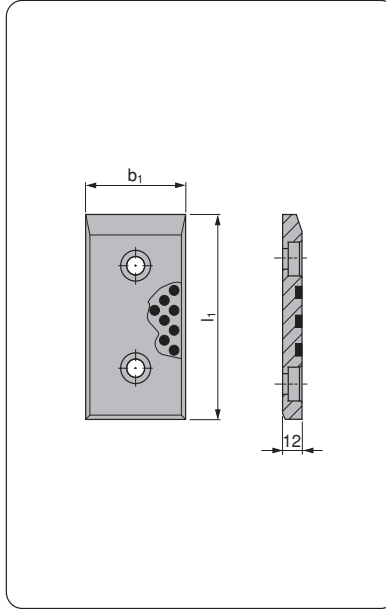
BMW CODE:B2 2960 12

BMW ID Number	Form	b ₁	l ₁
2 168 366	A	50	80
2 168 367	A	50	100
2 168 368	A	50	125
2 168 369	A	50	160
2 168 370	A	50	200
2 168 371	B	80	50
2 168 372	A	80	80
2 168 373	A	80	100
2 168 374	A	80	125
2 168 375	A	80	160
2 168 376	A	80	200
2 168 377	B	100	50
2 168 378	B	100	80
2 168 379	A	100	100
2 168 380	A	100	125
2 168 381	A	100	160
2 168 382	A	100	200
2 168 383	B	125	50
2 168 384	B	125	80
2 168 385	C	125	100
2 168 386	C	125	125
2 168 387	C	125	160
2 168 388	C	125	200
2 168 389	B	160	50
2 168 390	B	160	80
2 168 391	C	160	100
2 168 392	C	160	125
2 168 393	C	160	160
2 168 394	C	160	200



Material :
Bronze with Non-Liquid Lubricant
HB ≥ 190

Direction of Motion

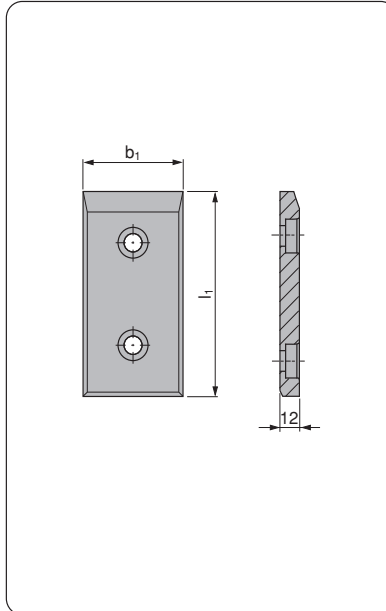


BMW ID Number	b ₁	l ₁
2 169 171	30	80
2 169 172	30	100
2 169 173	30	125
2 169 174	30	160
2 169 175	30	200
2 169 176	40	80
2 169 177	40	100
2 169 178	40	125
2 169 179	40	160
2 169 180	40	200
2 169 181	50	80
2 169 182	50	100
2 169 183	50	125
2 169 184	50	160
2 169 185	50	200
2 169 186	60	80
2 169 187	60	100
2 169 188	60	125
2 169 189	60	160
2 169 190	60	200
2 169 191	80	80
2 169 192	80	100
2 169 193	80	125
2 169 194	80	160
2 169 195	80	200

BMW CODE: B2 2961 11



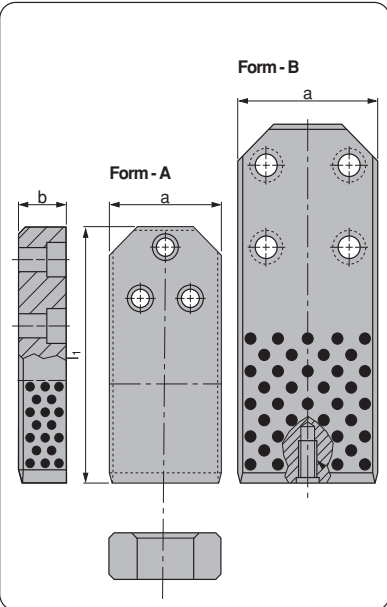
Material :
16MnCr5
Hardened
HRC 60 ÷ 64



BMW ID Number	b ₁	l ₁
2 170 888	30	80
2 170 889	30	100
2 170 890	30	125
2 170 891	30	160
2 170 892	30	200
2 170 893	40	80
2 170 894	40	100
2 170 895	40	125
2 170 896	40	160
2 170 897	40	200
2 170 898	50	80
2 170 899	50	100
2 170 900	50	125
2 170 901	50	160
2 170 902	50	200
2 170 903	60	80
2 170 904	60	100
2 170 905	60	125
2 170 906	60	160
2 170 907	60	200
2 170 908	80	80
2 170 909	80	100
2 170 910	80	125
2 170 911	80	160
2 170 912	80	200

BMW CODE: B2 2961 11

BMW ID Number	Form	a	b	l_1
2 168 879	A	112	45	250
2 168 880	B	140	45	315
2 168 881	B	190	56	400
2 174 248	B	240	56	500

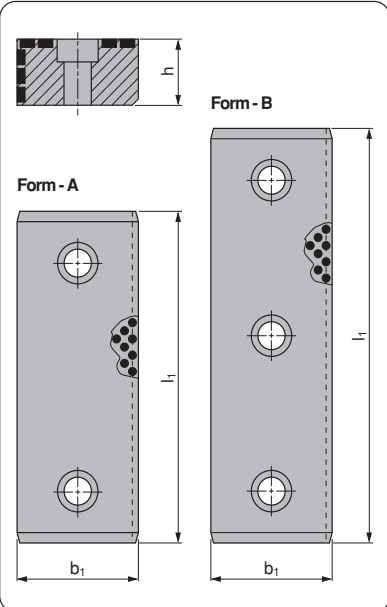


Material :
CK45 with Non-liquid Lubricant
HRC 58 ÷ 60



BMW CODE:B2 2969 11

BMW ID Number	Form	b_1	h	l_1
2 168 883	A	60	30	125
2 168 884	A	60	30	160
2 168 885	B	60	30	200
2 168 886	A	60	40	125
2 168 887	A	60	40	160
2 168 888	B	60	40	200



Material :
Bronze with Non-Liquid Lubricant
HB ≥ 190



BMW CODE:B2 2975 11



Material (U Block) :
CK45
HRC : 60 ÷ 64

Material (V Block - Body) :
CK45

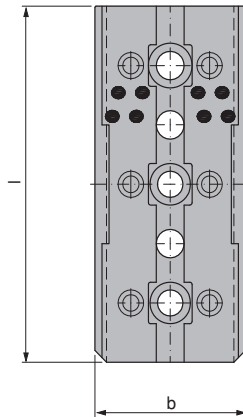
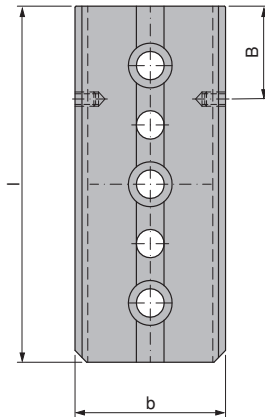
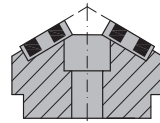
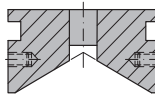
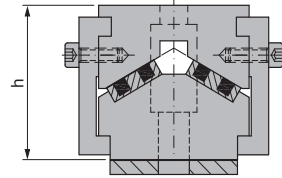
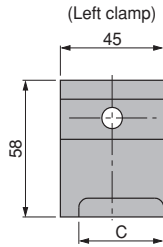
Material (Replaceable Plate) :
Bronze with Non-Liquid Lubricant
HB ≥ 190

Material (Positive Return) :
Steel
HRC : 40 ÷ 45

Material (Shim) :
St 52

Screws included.

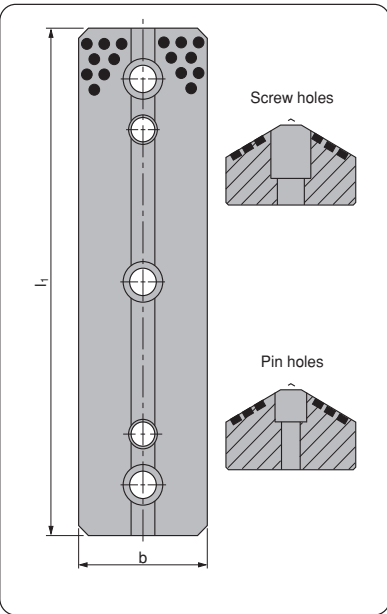
The measure **B** and **C** must be
determine in design and given
by order!



BMW CODE: B2 2978 20

BMW ID Number	b	h	l
2 175 061	65	65	150
2 175 062	65	65	200
2 175 063	65	65	250
2 175 064	65	65	300
2 175 065	125	85	150
2 175 066	125	85	200
2 175 067	125	85	250
2 175 068	125	85	300

BMW ID Number	b	l ₁
2 168 899	65	150
2 168 900	65	200
2 168 901	65	250
2 168 902	65	300
2 168 903	125	150
2 168 904	125	200
2 168 905	125	250
2 168 906	125	300

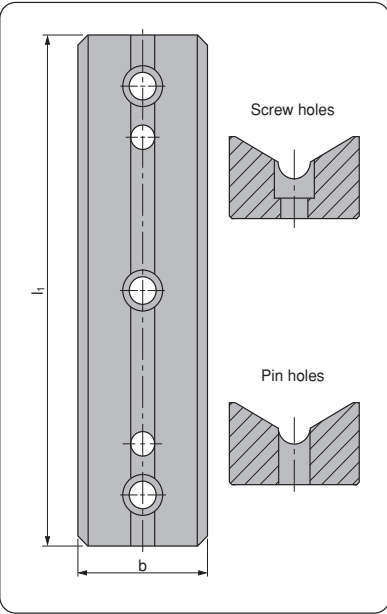


Material (V Block):
Bronze with Non-Liquid Lubricant
HB ≥ 190

Material (Shim) :
St 52

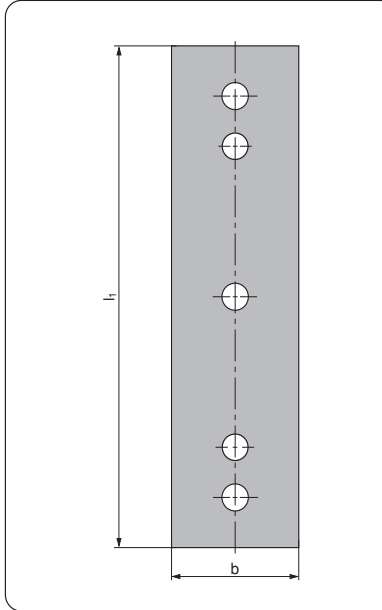
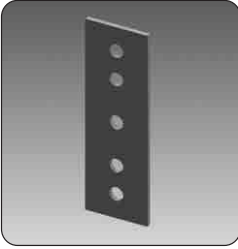
BMW CODE: B2 2978 21

BMW ID Number	b	l ₁
2 168 918	65	150
2 168 919	65	200
2 168 920	65	250
2 168 921	65	300
2 168 922	125	150
2 168 923	125	200
2 168 924	125	250
2 168 925	125	300



Material :
CK45
Hardened
HRC 60 ÷ 62

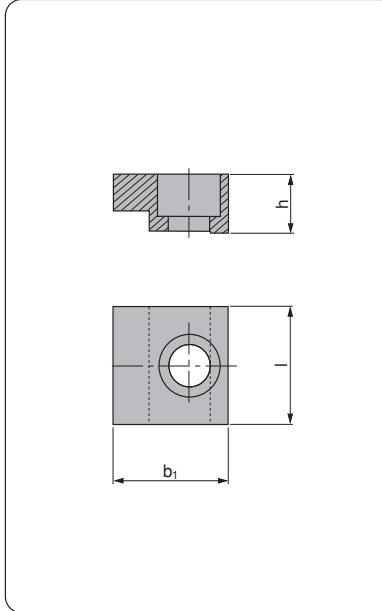
BMW CODE: B2 2978 21



BMW ID Number	b	l ₁
2 172 952	65	150
2 172 953	65	200
2 172 954	65	250
2 172 955	65	300
2 172 956	125	150
2 172 957	125	200
2 172 958	125	250
2 172 959	125	300

Material :
St 52

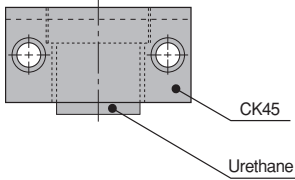
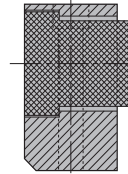
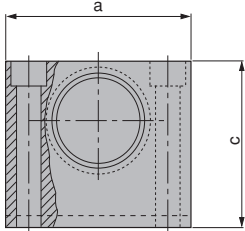
BMW CODE:B2 2978 22



BMW ID Number	b ₁	h	l	Bushing ∅
2 172 560	20	10	20	16
2 172 561	20	10	20	20
2 168 834	20	10	20	25÷50
2 168 842	32	16	32	63÷160

Material :
Steel

BMW CODE:B2 2983 11



Material :
CK45
Urethane

BMW CODE: B2 3001 20

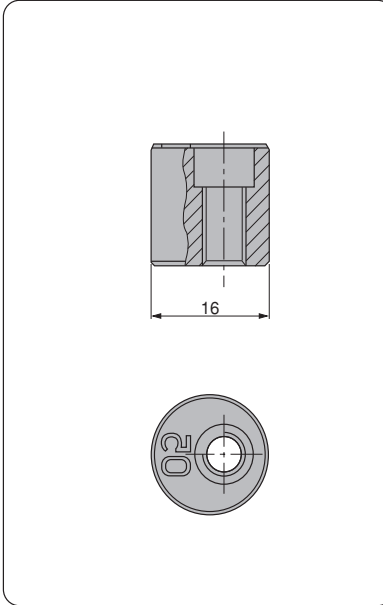
BMW ID Number	a	c
2 172 563	65	60
2 171 476	65	60
2 173 856*	65	60
2 172 564	75	70
2 171 477	75	70
2 173 857*	75	70

* Without urethane



Material :
X155CrVMo12
Hardened
HRC 55 ÷ 58

Screws not included.



BMW ID Number

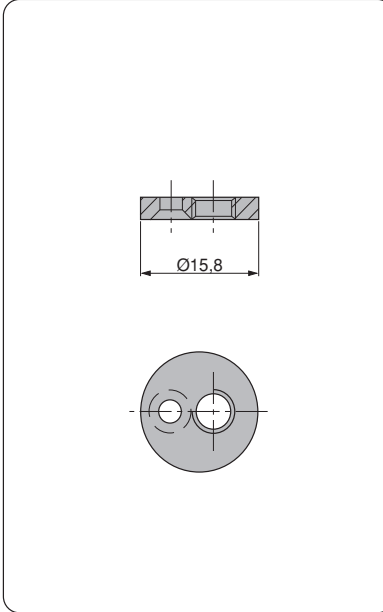
2 169 003
2 171 527
2 171 528
2 169 002
2 171 533
2 171 529
2 171 530
2 171 531
2 171 532
2 174 593
2 173 712
2 173 713
2 173 812
2 173 813
2 173 714
2 173 715
2 173 716
2 173 717

BMW CODE: B2 3602 15



Material :
Steel

Screws not included.

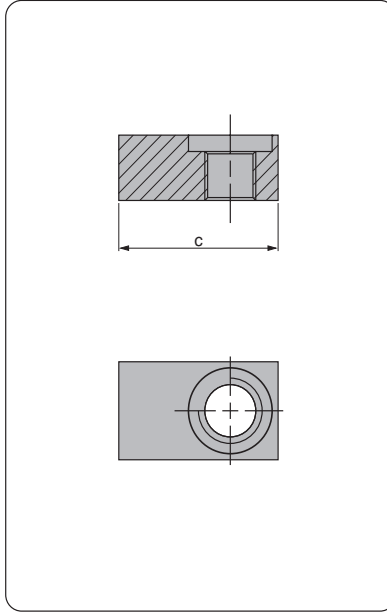


BMW ID Number

2 168 546

BMW CODE: B2 3602 15

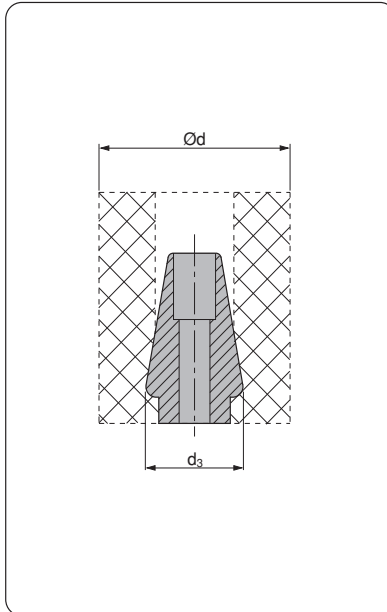
BMW ID Number	c	Suitable for nom. Ø
2 169 232	16	13
2 169 233	18	16
2 169 234	20	20
2 169 235	22	25
2 169 236	26	32
2 169 237	32	40
2 173 611	35	50
2 173 612	40	63



Material :
CK45

BMW CODE:B2 3765 1

BMW ID Number	d Elastomer	d ₃
2 169 344	63	28
2 169 345	80÷100	32
2 169 346	125	38

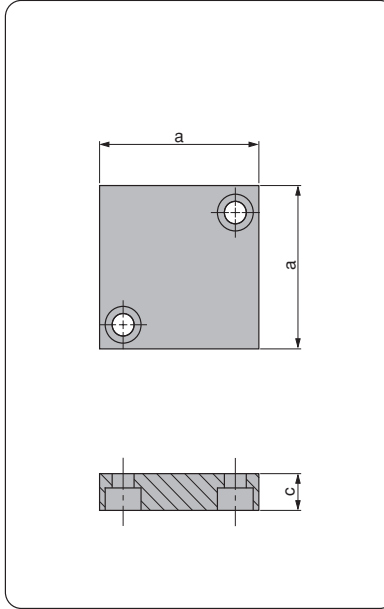


Material :
CK45

BMW CODE:B2 3925 11

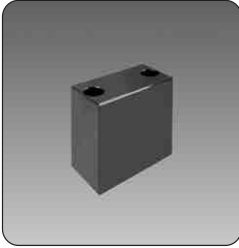


Material :
100MnCrW4
Hardened
HRC 49 ÷ 52

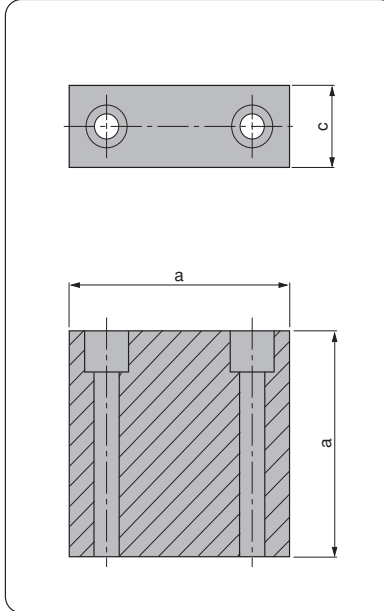


BMW ID Number	a	c
2 171 498	40	12
2 171 499	60	15
2 171 500	70	15
2 171 501	100	20
2 175 147	110	20

BMW CODE:B2 4010 1

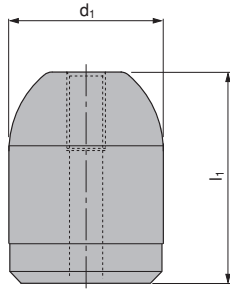


Material :
90MnCrV8
Hardened
HRC 49 ÷ 52



BMW ID Number	a	c	Nominal Load (daN)
2 173 596	60	25	750 ÷ 1500
2 173 597	70	25	3000
2 173 598	100	30	5000 ÷ 7500

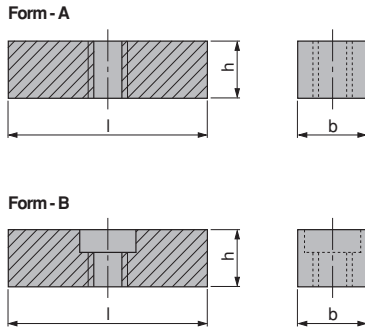
BMW CODE:B2 4010 2



Material :
16MnCr5
Hardened
HRC 60 ÷ 64

BMW CODE:B2 4068 2

BMW ID Number	d_1	l_1
2 172 410	22	45
2 172 411	32	50
2 172 412	40	55
2 172 413	50	55
2 173 658	56	80



Material :
CK45

BMW CODE:B2 4069 1

BMW ID Number	Form	b	h	l
2 172 053	A	22	14	80
2 172 224	A	30	30	80
2 172 808	A	22	14	50
2 172 809	A	30	30	120
2 174 226	A or B	20	20	50
2 174 227	A or B	20	20	80
2 174 835	B	16	10	50
2 174 836	B	16	10	80



Material :
d₁ ≤ 63
CK45

d₁ = 76
42CrMo4

WARNING !

For safety reasons, the weight of the tool has to be supported by just two lifting pins.

Respect the max load

UYARI !

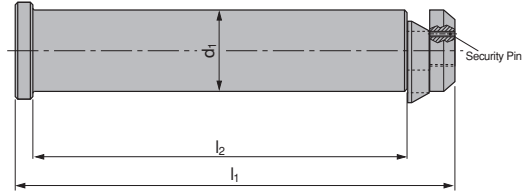
Güvenlik nedeniyle kalıp ağırlığı iki adet taşıma piminin taşıyabileceği maksimum yük miktarını aşmamalıdır.

Maksimum yükü göz ardı etmeyiniz

ACHTUNG !

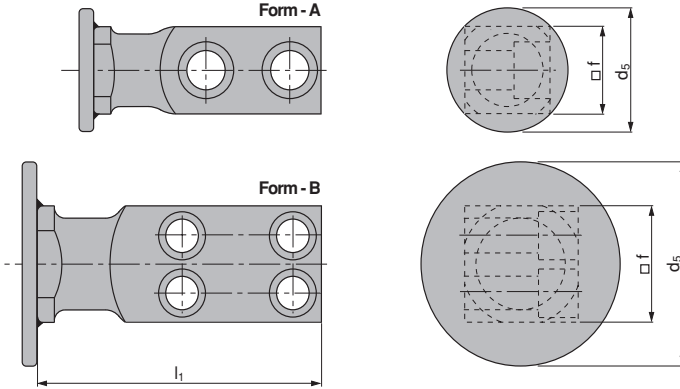
Aus Sicherheitsgründen achten Sie immer dass zwei Tragbolzen das gesamte Werkzeugs gewicht tragen müssen.

Maximale Nutzlast beachten



BMW CODE:B2 5601 11

BMW ID Number	Max. Load (Kg)	Max. Die Weight (Kg)	d ₁	l ₁	l ₂
2 168 395	3200	6400	32	175	145
2 168 396	5000	10000	40	225	188
2 168 397	8000	16000	50	273	230
2 168 398	12500	25000	63	347	295
2 168 399	31500	63000	76	422	360



Material :
CK45
700 ÷ 800 N/mm²

WARNING !
For safety reasons, the weight of the tool has to be supported by just two lifting brackets.

Respect the max load

UYARI !
Güvenlik nedeniyle kalıp ağırlığı iki adet taşıma braketinin taşıyabileceği maksimum yük miktarını aşmamalıdır.

Maksimum yükü göz ardı etmeyiniz

ACHTUNG !
Aus Sicherheitsgründen achten Sie immer dass zwei Tragzapfen das gesamte Werkzeugs gewicht tragen müssen.

Maximale Nutzlast beachten

BMW CODE: B2 5602 11

BMW ID Number	Max. Load (Kg)	Max. Die Weight (Kg)	Form	d ₅	f	l ₁	l ₁
2 169 231	320	640	A	60	20	80	80
3 275 834	630	1260	A	70	25	90	90
3 275 835	1250	2500	A	70	35	100	100
3 275 836	2000	4000	A	110	40	120	120
3 275 838	3200	6400	A	110	50	140	140
3 275 839	5000	10000	A	150	60	160	160
3 275 840	8000	16000	B	150	80	200	200
2 169 238	12500	25000	B	150	100	250	250
2 169 239	20000	40000	B	150	120	300	300



Bracket Material :
1.0570
Steel

Lifting Pin
Material :
CK45

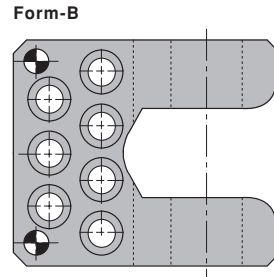
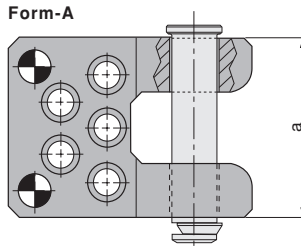
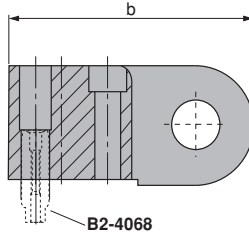
Locating Pin:
Material:
16MnCr5

WARNING !
For safety reasons, the weight
of the tool has to be supported
by just two lifting pins.

Respect the max load

UYARI !
Güvenlik nedeniyle kalıp ağırlığı
iki adet taşıma piminin
taşıyabileceği maksimum yük
miktarını aşmamalıdır.

**Maksimum yükü göz ardı
etmeyiniz**



BMW CODE: B2 5605 11

BMW ID Number	Max. Load (Kg)	Max. Die Weight (Kg)	Form	a	b
2 174 690	3200	6400	A	126	185
2 174 861	5000	10000	A	150	210
2 174 692	8000	16000	A	175	240
2 175 233	12500	25000	A	200	300
2 174 694	18000	36000	B	250	300



Material :
CK45
Steel

To be used with B2 5605 11 and
B2 5605 11a.

WARNING !

For safety reasons, the weight
of the tool has to be supported
by just two lifting pins.

Respect the max load

UYARI !

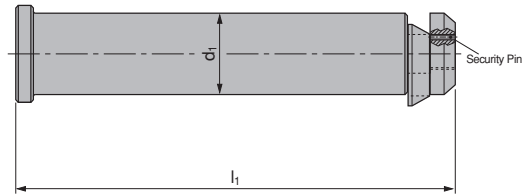
Güvenlik nedeniyle kalıp ağırlığı
iki adet taşıma piminin
taşıyabileceği maksimum yük
miktarını aşmamalıdır.

**Maksimum yükü göz ardı
etmeyiniz**

ACHTUNG !

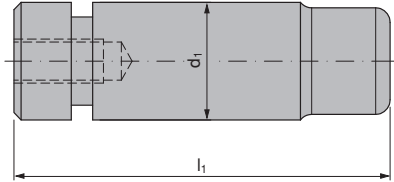
Aus Sicherheitsgründen achten
Sie immer dass zwei Tragbolzen
das gesamte Werkzeugs gewicht
tragen müssen.

Maximale Nutzlast beachten



BMW CODE: B2 5605 12

BMW ID Number	Max. Load (Kg)	Max. Die Weight (Kg)	d ₁	l ₁
2 168 400	3200	6400	30	158
2 174 867	5000	10000	40	187
2 168 402	8000	16000	50	220
2 174 868	12500	25000	60	246
2 168 404	18000	36000	80	305

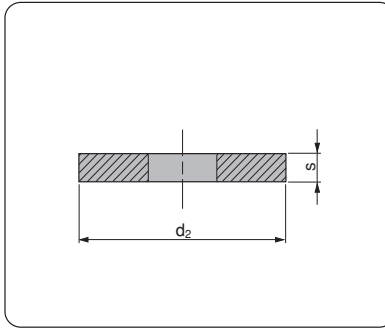
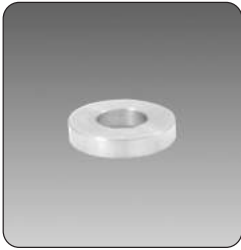


Material :
42CrMoS4V

BMW CODE:B2 5702 12

BMW ID Number	d_1	l_1	BMW ID Number	d_1	l_1
2 173 659	32	111	2 173 663	32	128
2 173 660	40	145	2 173 664	40	165
2 173 661	50	171	2 173 665	50	196
2 173 662	63	206	2 173 666	63	241

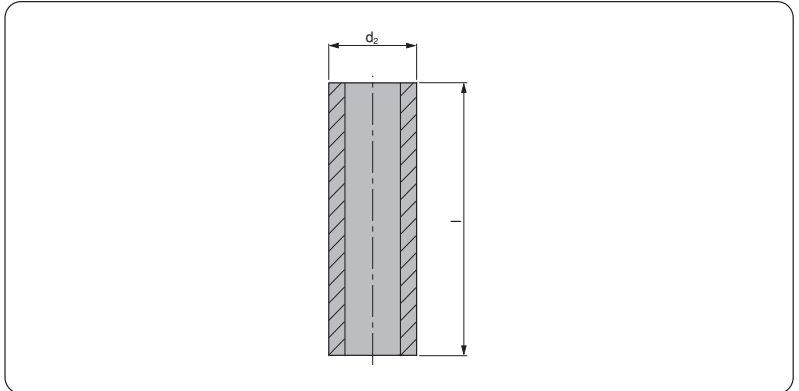




BMW ID Number	d ₂	s
0 281 620	35	6
0 281 619	42	8
0 281 618	56	10
2 171 891	68	10

Material :
CK45
Hardened
HRC 45 ÷ 50

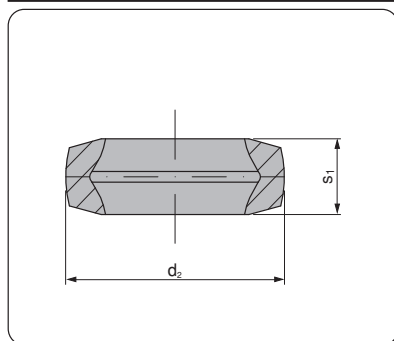
BMW CODE:B2 6201 11



Material :
Steel (E235+C)
Surface hardened.

BMW CODE:B2 6201 12

BMW ID Number	BMW ID Number	BMW ID Number
2 168 799	2 168 813	2 168 826
2 168 800	2 173 793	2 173 795
3 380 926	2 171 894	2 171 897
2 174 881	2 168 814	2 172 153
2 171 892	2 168 815	3 021 664
2 168 802	2 168 816	2 168 829
2 168 803	2 168 817	2 168 830
2 168 804	2 168 818	2 168 831
3 021 663	2 171 895	2 173 796
0 266 957	2 168 819	2 171 898
2 168 807	2 173 794	2 168 832
2 173 792	2 171 896	2 168 833
2 171 893	2 168 820	2 173 797
2 168 808	2 168 821	2 171 899
2 168 809	2 168 822	
3 021 666	2 168 823	
2 168 811	2 168 824	
2 168 812	2 168 825	

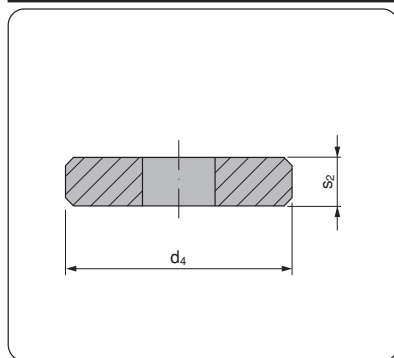


BMW ID Number	d ₂	s ₁
2 173 880	26,2	7,1
2 173 881	32,1	10,0
2 173 882	46,3	16,3
2 173 883	54,6	19,5
2 173 884	61,8	19,8
2 173 885	78,2	27,6



Material :
CO - Polyester Elastomer

BMW CODE:B2 6202 1

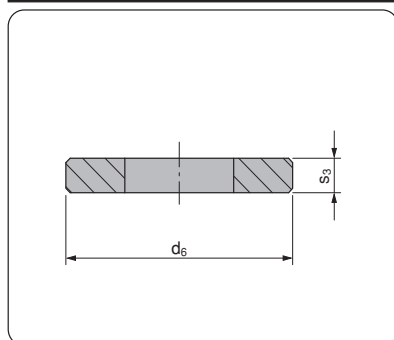


BMW ID Number	d ₄	s ₂
2 173 886	36	6
2 173 887	46	8
2 173 888	58	10
2 173 889	68	12
2 173 890	80	12
2 173 891	92	15

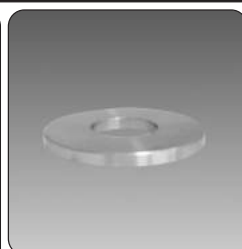


Material :
CK45

BMW CODE:B2 6202 1



BMW ID Number	d ₆	s ₃
2 173 892	36	4
2 173 893	46	6
2 173 894	58	6
2 173 895	68	8
2 173 896	80	8
2 173 897	92	8

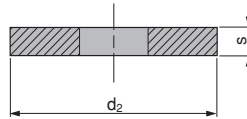


Material :
90MnCrV8
Hardened
HRC 56 ÷ 60

BMW CODE:B2 6202 1



Material :
CK45
HRC 45 ÷ 50

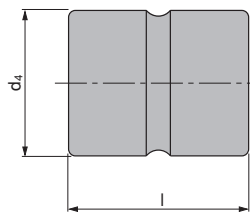


BMW CODE: B2 6202 13

BMW ID Number	d ₂	s
0 281 173	23	4
0 281 622	26	4
0 281 621	30	5
2 168 849	23	4
2 168 850	26	4
2 168 851	30	5



Material :
Co. ACE Tecspak



BMW CODE: B2 6204 12

BMW ID Number	d ₄	l
2 173 697	40	60
2 173 698	50	70
2 173 699	63	80
2 173 700	80	90