

强力氮气弹簧是我们产品中靠柱塞杆密封的最矮、弹压力最大的氮气弹簧。它可以在很小的模具内提供非常大的弹压力。此系列氮气弹簧的弹压力从1700 N到200000 N，工作行程从7至125mm。

此系列气弹簧在缸侧面有一个充气口，也可以使用这个充气口，用于微型管路连接系统。

缸体上部有一个C形槽，缸体下部有一个U形槽，它们同缸体底部二个M8螺孔一起，提供了各种安装可能性。

The Power Line Series includes our shortest and most powerful Piston Rod Sealed gas springs, offering impressive force in a very compact format.

These gas springs are available with forces from 1,700 N up to 200,000 N and stroke lengths between 7 and 125 mm.

There is a side port for gas charging that can also be used to connect to a hose system.

An upper C-groove, lower U-groove together with two M8 threaded holes allow various mounting possibilities using our standard mounts.

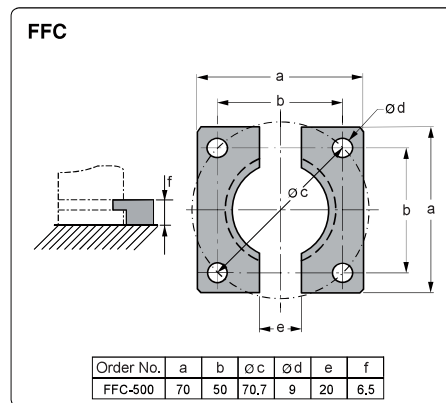
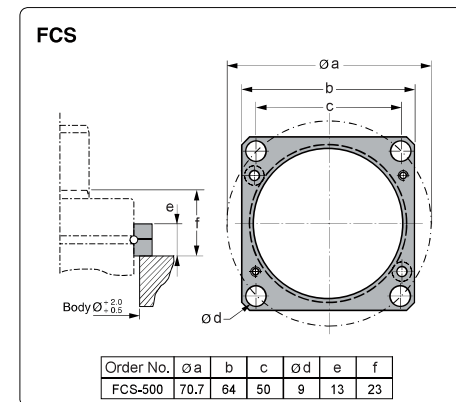
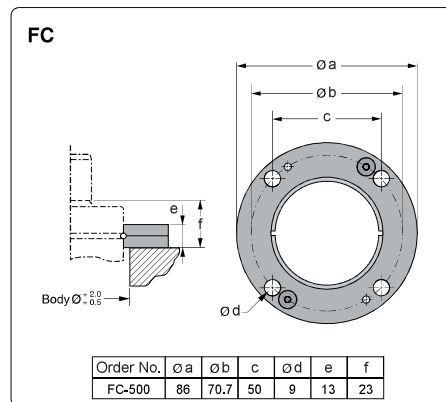
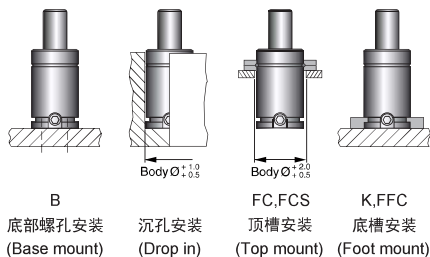
Order No.	行程 Stroke S	弹压力N在150bar/+20°C		L±0.25	Lmin
		初始力 Initial	终始力* End force*		
GX750-010	10	7400	12100	52	42
GX750-013	13		12100	58	45
GX750-016	16		12100	64	48
GX750-019	19		11700	70	51
GX750-025	25		11800	82	57
GX750-032	32		11800	96	64
GX750-038	38		11800	108	70
GX750-050	50		11800	132	82
GX750-063	63		11800	158	95
GX750-075	75		11900	182	107
GX750-080	80		11900	192	112
GX750-100	100		11900	232	132
GX750-125	125	11900	282	157	

*=在全行程 at full stroke

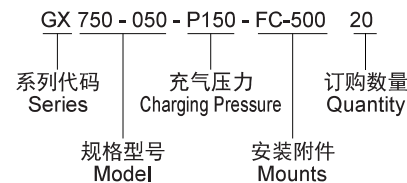
基本参数 Basic information

- 充气介质 ----- 氮气 Nitrogen
Pressure medium
- 最大充气压力 ----- 150 bar(at 20°C)
Max.charging pressure
- 最小充气压力 ----- 25 bar(at 20°C)
Min.charging pressure
- 工作环境温度 ----- 0~80°C
Operating temperature
- 单位温度弹压力增量 ----- ±0.3%/°C
Force increase by temperature
- 推荐每分钟工作频率 ----- 20-80spm(20°C)
Recommended working frequency
- 最大工作速度 ----- 96 m/min
Max.piston rod velocity

几种安装可能性 Mounting Possibilities



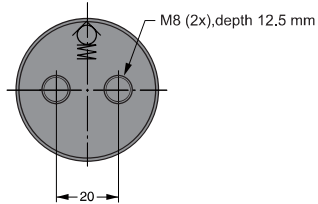
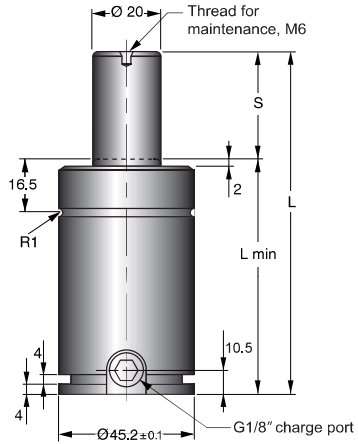
订购方法 Ordering method





氮气弹簧的标准系是GTU系列，其规格从250到10000的氮气弹簧都符合国际ISO 11901标准。
GTU总高度L为85 mm + (2 × 行程)。

The GTU line constitutes our standard line of gas springs. Sizes 250 to 10000 conform to the ISO 11901 gas spring standard.
The GTU500 has a total length of 85 mm + (2 × stroke).



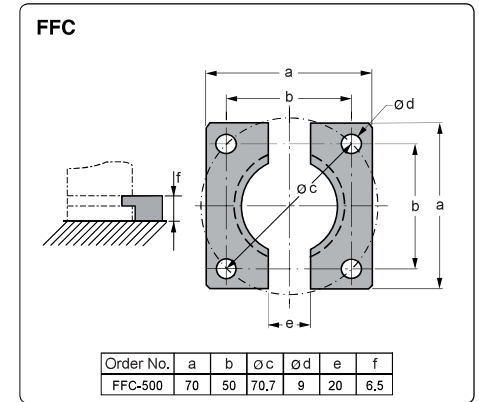
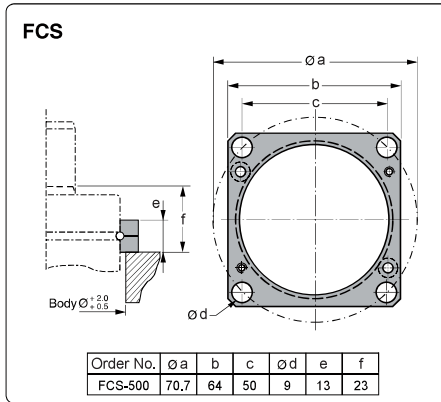
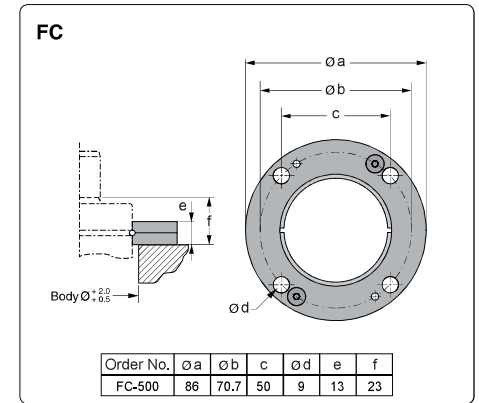
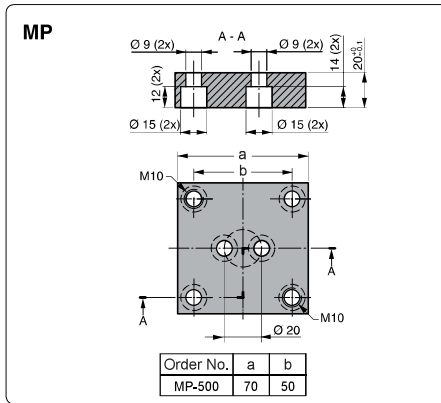
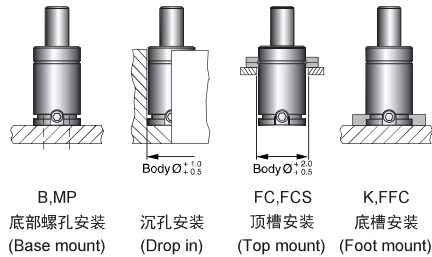
Order No.	行程 Stroke S	弹压力N在150bar/+20°C		L±0.25	Lmin
		初始力 Initial	终压力* End force*		
GTU500-010	10	4700	6000	105	95
GTU500-013	12.7		6100	110.4	97.7
GTU500-025	25		6400	135	110
GTU500-038	38.1		6500	161.2	123.1
GTU500-050	50		6600	185	135
GTU500-064	63.5		6600	212	148.5
GTU500-080	80		6700	245	165
GTU500-100	100		6700	285	185
GTU500-125	125		6700	335	210
GTU500-160	160		6700	405	245

*=在全行程 at full stroke

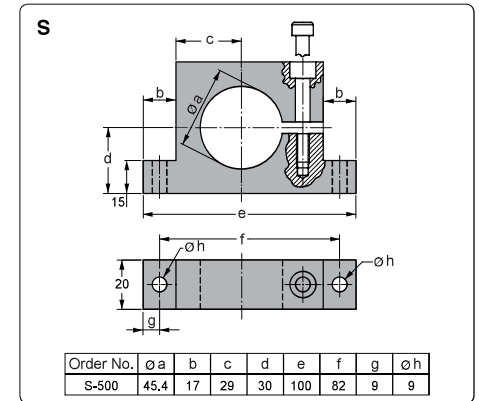
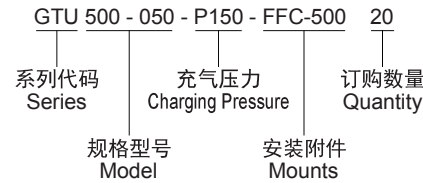
基本参数 Basic information

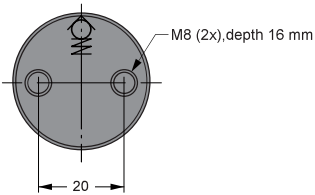
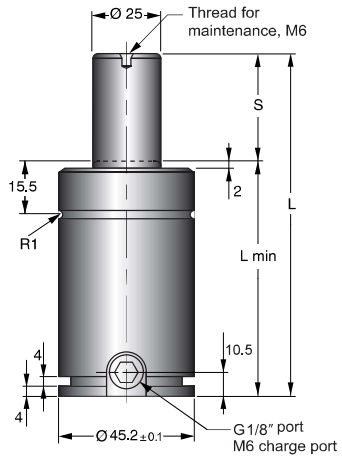
- 充气介质 ----- 氮气 Nitrogen
Pressure medium
- 最大充气压力 ----- 150 bar(at 20°C)
Max.charging pressure
- 最小充气压力 ----- 25 bar(at 20°C)
Min.charging pressure
- 工作环境温度 ----- 0~80°C
Operating temperature
- 单位温度弹压力增量 ----- ±0.3%/°C
Force increase by temperature
- 推荐每分钟工作频率 ----- 20-80spm(20°C)
Recommended working frequency
- 最大工作速度 ----- 96 m/min
Max.piston rod velocity

几种安装可能性 Mounting Possibilities



订购方法 Ordering method





强力氮气弹簧是我们产品中靠柱塞杆密封的最矮、弹压力最大的氮气弹簧。它可以在很小的模具内提供非常大的弹压力。些系列氮气弹簧的弹压力从3600 N到 66000 N，工作行程从10至125mm。

此系列气弹簧在缸侧面有一个充气口，也可以使用这个充气口，用于管路连接系统。

缸体上部有一个C形槽，缸体下部有一个U形槽，它们同缸体底部二个M8螺孔一起，提供了各种安装可能性。

The Power Line Series includes our shortest and most powerful Piston Rod Sealed gas springs, offering impressive force in a very compact format.

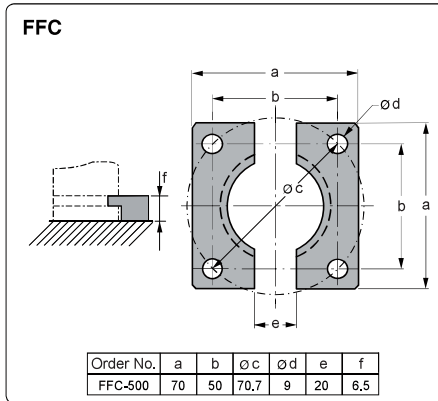
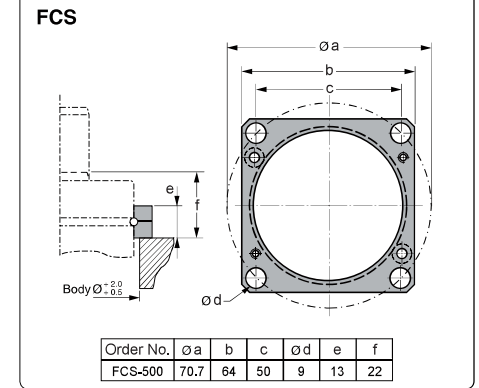
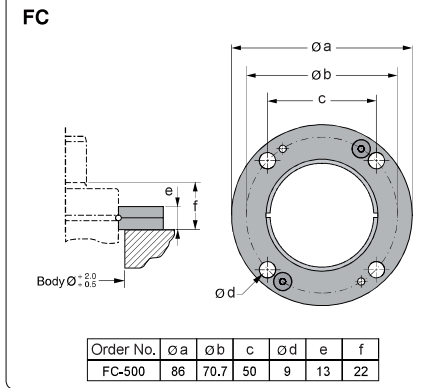
The Power Line springs are available with forces from 3,600 N up to 66,000 N and stroke lengths between 10 and 125 mm.

There is a side and a bottom port for gas charging that can also be used to connect to a hose system.

An upper C-groove, lower U-groove together with two M8 threaded holes allow various mounting possibilities using our standard mounts.

Order No.	行程 Stroke S	弹压力N在150bar/±20°C		L±0.25	Lmin
		初始力 Initial	终始力* End force*		
GXG750-010	10	7400	12100	67	57
GXG750-013	13		12100	73	60
GXG750-016	16		12100	79	63
GXG750-019	19		11700	85	66
GXG750-025	25		11800	97	72
GXG750-032	32		11800	111	79
GXG750-038	38		11800	123	85
GXG750-050	50		11800	147	97
GXG750-063	63		11800	173	110
GXG750-075	75		11900	197	122
GXG750-080	80		11900	207	127
GXG750-100	100		11900	247	147
GXG750-125	125	11900	297	172	

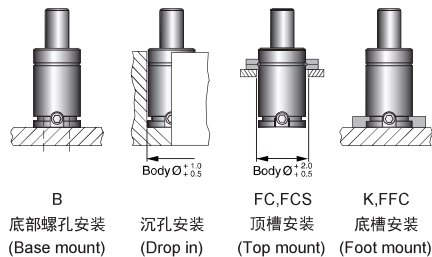
*=在全行程 at full stroke



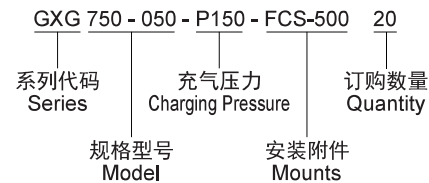
基本参数 Basic information

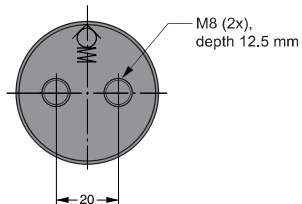
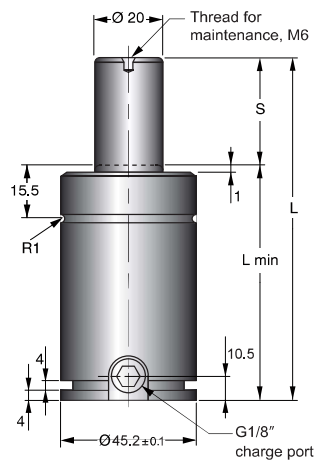
- 充气介质 ----- 氮气 Nitrogen
Pressure medium
- 最大充气压力 ----- 150 bar(at 20°C)
Max.charging pressure
- 最小充气压力 ----- 25 bar(at 20°C)
Min.charging pressure
- 工作环境温度 ----- 0~80°C
Operating temperature
- 单位温度弹压力增量 ----- ±0.3%/°C
Force increase by temperature
- 推荐每分钟工作频率 ----- 20-80spm(20°C)
Recommended working frequency
- 最大工作速度 ----- 96 m/min
Max.piston rod velocity

几种安装可能性 Mounting Possibilities



订购方法 Ordering method





这是一种高度短并可连接管路的氮气弹簧，其初始弹压力4700N。

GK500总高度L为50 mm + (2 × 行程)，这类弹簧比GTU500型短35mm。安装附件选择与GTU500相同。

This is a short height hoseable spring with an initial force of 4,700 N.

The GK500 has a total length of 50 mm + (2 × stroke). This spring is 35 mm shorter than the GTU500. Mounting options are the same as for the GTU500.

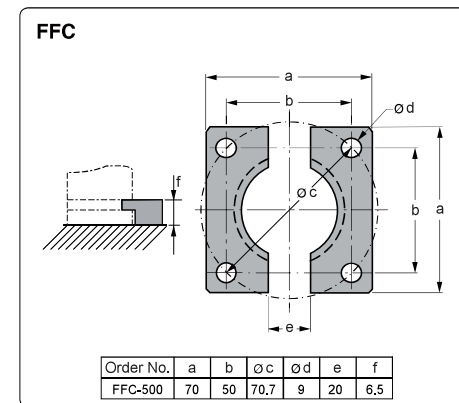
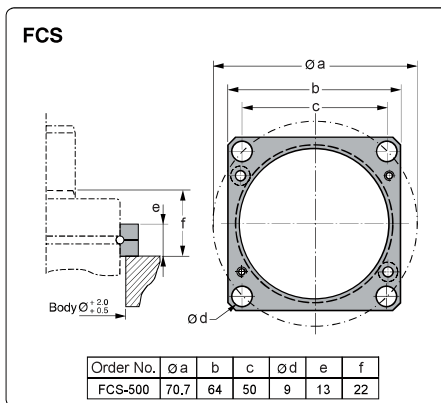
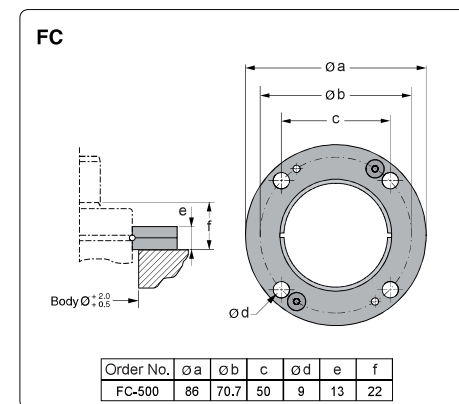
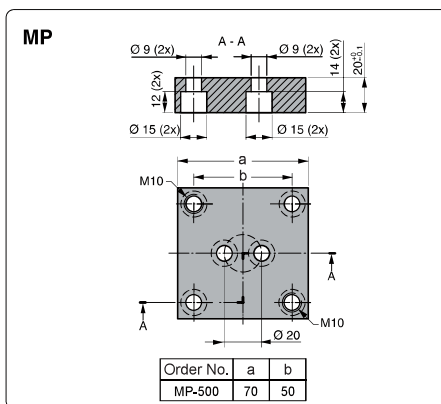
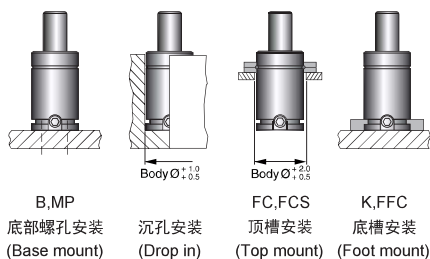
Order No.	行程 Stroke S	弹压力N在150bar/+20°C		L±0.25	Lmin
		初始力 Initial	终始力* End force*		
GK500-006	6	4700	5600	62	56
GK500-013	12.7		5900	75.4	62.7
GK500-019	19		6100	88.1	69.05
GK500-025	25		6100	100	75
GK500-038	38.1		6200	126.2	88.1
GK500-050	50		6300	150	100
GK500-064	63.5		6300	177	113.5
GK500-080	80		6600	210	130
GK500-100	100		6600	250	150
GK500-125	125		6600	300	175

*=在全行程 at full stroke

基本参数 Basic information

- 充气介质 ----- 氮气 Nitrogen
Pressure medium
- 最大充气压力 ----- 150 bar(at 20°C)
Max.charging pressure
- 最小充气压力 ----- 25 bar(at 20°C)
Min.charging pressure
- 工作环境温度 ----- 0~80°C
Operating temperaKre
- 单位温度弹压力增量 ----- ±0.3%/°C
Force increase by temperaKre
- 推荐每分钟工作频率 ----- 20-80spm(20°C)
Recommended working frequency
- 最大工作速度 ----- 96 m/min
Max.piston rod velocity

几种安装可能性 Mounting Possibilities



订购方法 Ordering method

