

之所以命名GR系列，是因为GUNRI该管是滚压成形的。因为是永久封闭，使这些弹簧不可维修。

GR系列系列氮气弹簧直径有Ø12, Ø15, 和 Ø19 mm。行程长度可达125mm。

GR系列是一种微型的ISO国际标准的模具专用氮气弹簧，只作独立使用，很多情况下可以直接代替金属弹簧。

充气压强：可以根据用户要求按20-180Bar充气，如无特殊要求则按160Bar，此时初始弹压力等于公称弹压力：450N。

The GR series was named because the tube is Rollformed and therefore permanently closed, making these springs non-repairable.

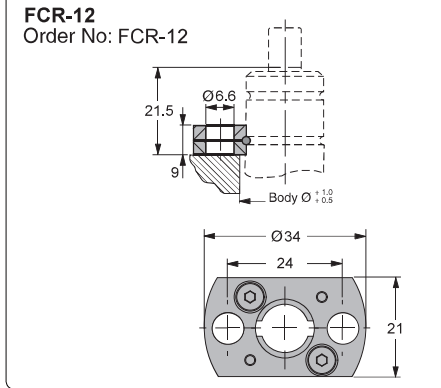
GR series springs are available with Ø12, Ø15, and Ø19 mm tube diameters and with stroke lengths up to 125 mm.

GR series springs are ISO international standard and widely used gas spring. Normally it is selfcontained and could take place of regular metal springs.

The force could be determined by customer's need from 20 to 180Bar.if there is no special requirement,please charge 160Bar that equals to initial force 450N.

Order No.	行程 Stroke S	弹压力N在 +20°C		L±0.25	Lmin
		初始力 Initial	终始力* End force*		
GR45-007	7	450	597	56	49
GR45-010	10		634	62	52
GR45-013	12.7		657	67.4	54.7
GR45-015	15		670	72	57
GR45-019	19		689	80	61
GR45-025	25		707	92	67
GR45-038	38.1		730	118	80
GR45-050	50		742	142	92
GR45-064	63.5		789	172	108.5
GR45-075	75		788	195	120
GR45-080	80		827	205	125
GR45-100	100		817	245	145
GR45-125	125	810	295	170	

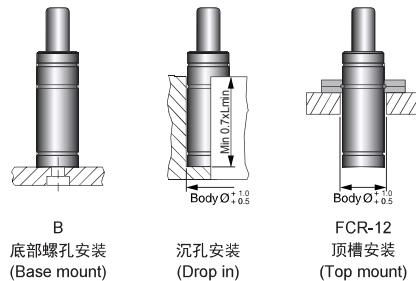
*=在全行程 at full stroke



基本参数 Basic information

- 充气介质 ----- 氮气 Nitrogen
Pressure medium
- 最大充气压力 ----- 180 bar(at 20°C)
Max.charging pressure
- 最小充气压力 ----- 20 bar(at 20°C)
Min.charging pressure
- 工作环境温度 ----- 0~80°C
Operating temperature
- 单位温度弹压力增量 ----- ±0.3%/°C
Force increase by temperature
- 推荐每分钟工作频率 ----- 20-80spm(20°C)
Recommended working frequency
- 最大工作速度 ----- 96 m/min
Max.piston rod velocity

几种安装可能性 Mounting Possibilities



订购方法 Ordering method

