

Series LV

Technical information

Nominal bore [mm]	Cv value		Q [L/min] water 20 °C, Δp = 1 bar / 15 psi		Q [m³/h] air 6 bar abs / 87 psia, 20 °C, Δp = 1 bar / 15 psi		p max. permissible static [bar / psi]	
	EA	BA	EA	BA	EA	BA	Brass	Stainless steel
							coupled	coupled
4		0.30		4.28		15.18	60 / 870	100 / 1,450
9		2.02		28.85		102.23	40 / 580	

One side self-sealing (EA). Both sides self-sealing (BA). The pressure values are applicable at a temperature of 20°C. Please inquire about other temperature ranges.

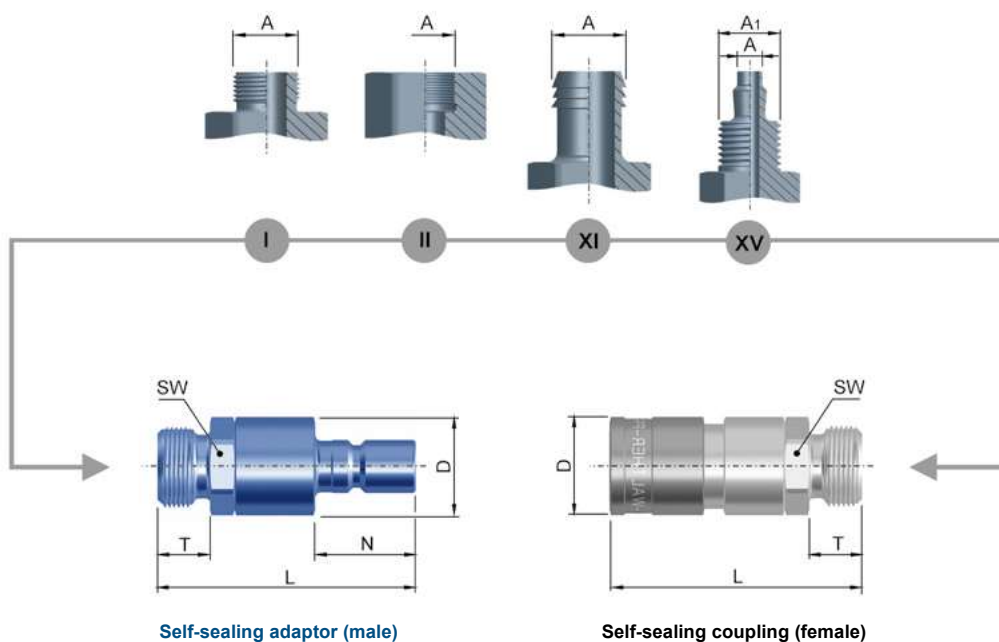
The maximum permissible operating pressures specified here (p max. permissible static) for the quick coupling systems apply exclusively to the materials stated by us and operation with Group II media according to Directive 2014/68/EU. The use of optional materials, other media (especially media from Group I) or other temperature ranges can lead to deviating maximum permissible operating pressures and must be requested separately at your supplier or directly at WALTHER-PRÄZISION.

Please note that both the maximum permissible operating pressure of the quick coupling system and the maximum permissible operating pressure of the connection must be considered in determining the plant operating pressure. Our safety instructions must be followed. You can find the safety instructions on page 22 of this catalogue.

If you have additional questions or need further information, please consult either your supplier or WALTHER-PRÄZISION directly.

◀◀ To view the performance diagram please click here.

To view the connection description ▶▶▶ please click here.



Series LV

Product design features

Intended use: Non-Squirting low pressure quick coupling system for a wide range of applications, for the transmission of fluid or gaseous media in an industrial / commercial environment.

Properties	Materials	Seals	Additional options
- Non-Squirting - Elongated version (compared to LP)	21 = Brass passivated LV-004 01 = Stainless steel 1.4404/1.4571 or similar	1 = NBR 2 = FKM 4 = EPDM Optional FFKM	BB = 3.1 production FD = FDA-compliant FF = Oil- and grease-free FL = free from paint wetting impairment substances GL = Smooth design GX = Smooth design with key flat-locking piece

Suitable protection elements can be found in this catalogue from p. 180.

Attention: Self-sealing coupling + OV \triangleq Product type Thru-type coupling; Self-sealing adaptor + OV \triangleq Product type Thru-type adaptor

Order number configuration

LV-004-0-SL004-Material-Seal-Additional options-Y./-Z..

Product chart



NB	Product type	A / A1	De- sign	Pipe ID	SW	T	D	L	N	Weight Brass	Material-neutral part number
4	Self-sealing coupling (female)	4 mm	XI	3	14	18	18	58.5		55	LV-004-0-SL004-...-
4	Self-sealing coupling (female)	6 mm	XI		14	25	18	65.5		55	LV-004-0-SL006-...-
4	Self-sealing coupling (female)	OD 6 ID 4 mm M 10 x 1	XV	3	14	16	18	56.5		65	LV-004-0-SW004-...-
4	Self-sealing coupling (female)	BSPP 1/8"	I		14	8	18	50.5		55	LV-004-0-WR010-...-
4	Self-sealing coupling (female)	BSPP 1/4"	I		14	11	18	51.5		60	LV-004-0-WR013-...-

NB - Nominal bore [mm] **A / A1** - Connection **SW** - Wrench size [mm] **T** - Thread length [mm] **D** - Diameter [mm] **L** - Length [mm] **N** - Adaptor length [mm] **Weight** [g]

Series LV

Product chart

NB	Product type	A / A1	De- sign	Pipe ID	SW	T	D	L	N	Weight Brass	Material-neutral part number
4	Self-sealing coupling (female)	BSPP 1/8"	II		14	9	18	50.5		60	LV-004-0-WR510-...-
4	Self-sealing adaptor (male)	4 mm	XI	3	14	18	18	58	21	35	LV-004-2-SL004-...-
4	Self-sealing adaptor (male)	6 mm	XI		14	25	18	65	21	38	LV-004-2-SL006-...-
4	Self-sealing adaptor (male)	OD 6 ID 4 mm M 10 x 1	XV	3	14	16	18	56	21	46	LV-004-2-SW004-...-
4	Self-sealing adaptor (male)	BSPP 1/8"	I		14	8	18	50	21	38	LV-004-2-WR010-...-
4	Self-sealing adaptor (male)	BSPP 1/4"	I		14	11	18	51	21	43	LV-004-2-WR013-...-
4	Self-sealing adaptor (male)	BSPP 1/8"	II		14	9	18	50	21	42	LV-004-2-WR510-...-
9	Self-sealing coupling (female)	13 mm	XI		25	30	28	87		199	LV-009-0-SL013-...-
9	Self-sealing coupling (female)	BSPP 3/8"	I		25	12	28	72		203	LV-009-0-WR017-...-
9	Self-sealing coupling (female)	BSPP 1/2"	I		25	15	28	72		202	LV-009-0-WR021-...-
9	Self-sealing coupling (female)	BSPP 1/2"	II		27	17	28	72		215	LV-009-0-WR521-...-
9	Self-sealing adaptor (male)	13 mm	XI		25	30	28	88.4	28.5	152	LV-009-2-SL013-...-
9	Self-sealing adaptor (male)	BSPP 3/8"	I		25	12	28	73.4	28.5	156	LV-009-2-WR017-...-
9	Self-sealing adaptor (male)	BSPP 1/2"	I		25	15	28	73.4	28.5	155	LV-009-2-WR021-...-
9	Self-sealing adaptor (male)	BSPP 1/2"	II		27	17	28	73.4	28.5	168	LV-009-2-WR521-...-

NB - Nominal bore [mm] A / A1 - Connection SW - Wrench size [mm] T - Thread length [mm] D - Diameter [mm] L - Length [mm] N - Adaptor length [mm] Weight [g]