

Technical information

Nominal bore [mm]	Cv-Wert		Q [L/min] water 20 °C, Δp = 1 bar / 15 psi		Q [m³/h] air 6 bar abs / 87 psia, 20 °C, Δp = 1 bar / 15 psi		p max. permissible static [bar / psi]
	EA	BA	EA	BA	EA	BA	
							Stainless steel
							coupled
25		14		199.93		708.50	25 / 363
40		38		542.70		1,973.67	25 / 363
50		75		1,071.08		3,795.51	25 / 363
80		101		1,442.39		5,111.29	16 / 232 (10 / 145 for ADR version)
100		120		1,713.73		6,072.82	10 / 145

One side self-sealing (EA). Both sides self-sealing (BA). The pressure values are applicable at a temperature of 20°C. Please inquire about other temperature ranges.

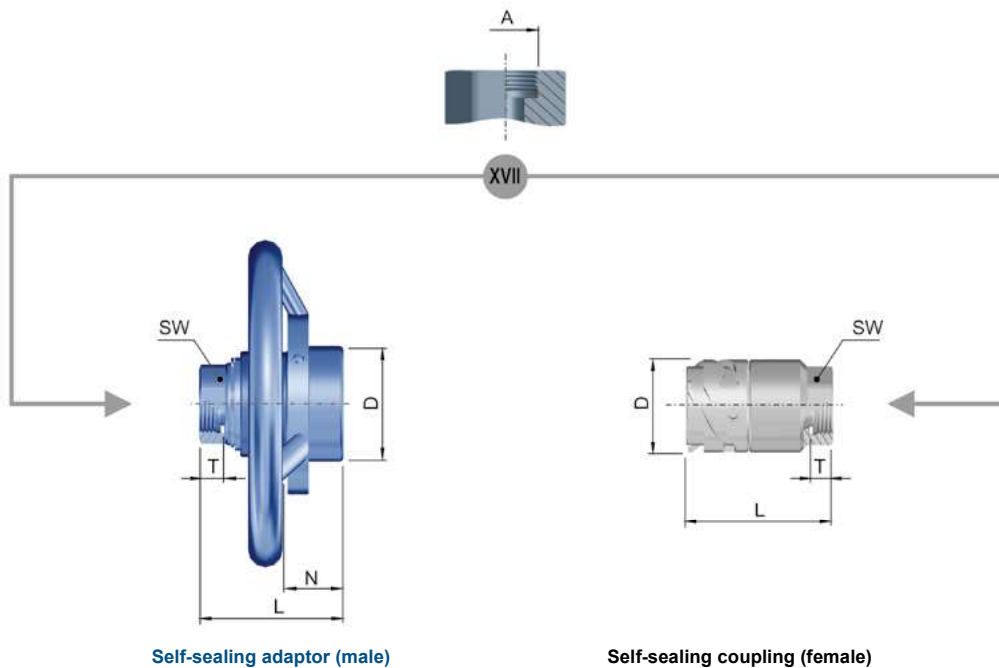
The maximum permissible operating pressures specified here (p max. permissible static) for the quick coupling systems apply exclusively to the materials stated by us and operation with Group II media according to Directive 2014/68/EU. The use of optional materials, other media (especially media from Group I) or other temperature ranges can lead to deviating maximum permissible operating pressures and must be requested separately at your supplier or directly at WALTHER-PRÄZISION.

Please note that both the maximum permissible operating pressure of the quick coupling system and the maximum permissible operating pressure of the connection must be considered in determining the plant operating pressure. Our safety instructions must be followed. You can find the safety instructions on page 22 of this catalogue.

If you have additional questions or need further information, please consult either your supplier or WALTHER-PRÄZISION directly.

◀◀ To view the performance diagram please click here.

To view the connection description ▶▶▶ please click here.



Product design features

Intended use: Low pressure clean break quick coupling system with bayonet locking, for the transmission of fluid media in an industrial / commercial environment, especially for the chemical industry, also for selected Group 1 fluid media.

Properties	WEDISO	Additional options
<ul style="list-style-type: none"> - Low leakage volume during disconnection - Minimal air inclusion when connecting - Can be coupled under residual pressure - Vacuum suited (while coupled) - Easy disconnection of high-viscous fluid transfers 	<p>Material 0A = Stainless steel 1.4571</p> <p>Seals FKM, EPDM</p> <p>Optional FFKM, and other materials versions</p>	<p>E01 = ADR approved according to DIN EN 14432</p> <p>BB = 3.1 production</p> <p>EF = 1935/2004 compliant</p> <p>EG / RG* = ring grip</p> <p>EX = ATEX compliant</p> <p>FD = FDA compliant</p> <p>FL = free from paint wetting impairment substances</p> <p>UC = according to USP-class VI</p> <p>TA = in line with TA-Luft</p> <p>Optional Many other additional features available to customer requirements</p>

*Diameter of the ring grips of the self-sealing adaptors: NB 25 = 190 mm, NB 40 = 190 mm, NB 50 = 2210 mm, NB 80 = 265 mm, NB 100 = 300 mm

Also available: protective caps and plugs, electronic query of the lock status, mechanical encoding, lockable.

Note: For the self-sealing adaptor, the ring grip "EG" is always part of the order number up from NB 40 (NB 25 optional), as "RG" from NB 80. Information to residual leakage volumens or ingress volume when connecting on request.

Recommendation: For handling reasons, the self-sealing couplings should be firmly mounted to the system, while the self-sealing adaptors (with the ring grips) are to be installed on flexible lines.

Order number configuration

CN025-0-WS533-WEDISO-GG/RG-Additional options-Y./-Z..



Product chart

NB	Product type	A	Design	SW	T	D	L	N	Weight Stainless steel	Material-neutral part number
25	Self-sealing coupling (female)	BSPP 1"	XVII	41	14	54	85		740	CN-025-0-WS533-....
25	Self-sealing adaptor (male)	BSPP 1"	XVII	41	14	66	83	27	880	CN-025-2-WS533-....

NB - Nominal bore [mm] A - Connection SW - Wrench size [mm] T - Thread length [mm] D - Diameter [mm] L - Length [mm] N - Adaptor length [mm] Weight [g]

Product chart

NB	Product type	A	Design	SW	T	D	L	N	Weight Stainless steel	Material-neutral part number
40	Self-sealing coupling (female)	BSPP 1 1/2"	XVII	60	18	85	115.8		2,170	CN-040-0-WS548-....
40	Self-sealing adaptor (male)	BSPP 1 1/2"	XVII	60	18	106	124.3	43	3,660	CN-040-2-WS548-....
50	Self-sealing coupling (female)	BSPP 2"	XVII	70	20	94	124		2,570	CN-050-0-WS560-....
50	Self-sealing adaptor (male)	BSPP 2"	XVII	70	20	121	133	45	4,410	CN-050-2-WS560-....
80	Self-sealing coupling (female)	BSPP 3"	XVII	100	24	124	143		5,970	CN-080-0-WS588-....
80	Self-sealing adaptor (male)	BSPP 3"	XVII	100	24	144	148	50	7,320	CN-080-2-WS588-....
100	Self-sealing coupling (female)	BSPP 4"	XVII	120	25	144	164		7,960	CN-100-0-WS613-....
100	Self-sealing adaptor (male)	BSPP 4"	XVII	120	25	164	165	58	9,680	CN-100-2-WS613-....

NB - Nominal bore [mm] **A** - Connection **SW** - Wrench size [mm] **T** - Thread length [mm] **D** - Diameter [mm] **L** - Length [mm] **N** - Adaptor length [mm] **Weight** [g]