

Series CG

Technical information

Nominal bore [mm]	Cv value		Q [L/min] water 20 °C, Δp = 1 bar / 15 psi		Q [m³/h] air 6 bar abs / 87 psia, 20 °C, Δp = 1 bar / 15 psi		p max. permissible static [bar / psi]
	EA	BA	EA	BA	EA	BA	
							Aluminium coupled
6		1.00		14.28		50.61	16 / 232
9		2.70		38.56		136.64	16 / 232
12		4.50		64.26		227.73	16 / 232
16		9.10		129.96		460.52	16 / 232
20		13.00		185.65		657.89	16 / 232
25		18.50		264.20		936.23	16 / 232

One side self-sealing (EA). Both sides self-sealing (BA). The pressure values are applicable at a temperature of 20°C. Please inquire about other temperature ranges.

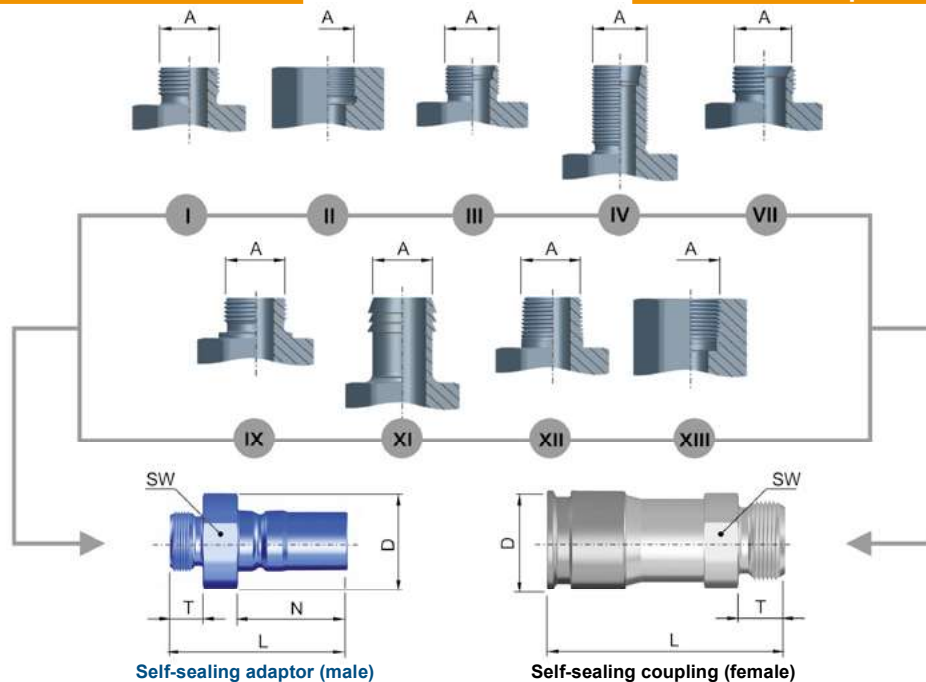
The maximum permissible operating pressures specified here (p max. permissible static) for the quick coupling systems apply exclusively to the materials stated by us and operation with Group II media according to Directive 2014/68/EU. The use of optional materials, other media (especially media from Group I) or other temperature ranges can lead to deviating maximum permissible operating pressures and must be requested separately at your supplier or directly at WALTHER-PRÄZISION.

Please note that both the maximum permissible operating pressure of the quick coupling system and the maximum permissible operating pressure of the connection must be considered in determining the plant operating pressure. Our safety instructions must be followed. You can find the safety instructions on page 22 of this catalogue.

If you have additional questions or need further information, please consult either your supplier or WALTHER-PRÄZISION directly.

◀◀ To view the performance diagram please click here.

To view the connection description ▶▶▶ please click here.



Series CG

Product design features

Intended use: Low pressure clean break quick coupling system for the transmission of fluid media in an industrial / commercial environment, especially for water-based emulsions such as cooling water with glycol.

Properties	WEDISO	Additional options
<ul style="list-style-type: none"> - Low leakage volume during disconnection - Minimal air inclusion when connecting - High flow rate - Suitable for parallel connections with equal flow 	<p>Material Aluminium</p> <p>Seals FKM, VMQ and FVMQ</p> <p>Optional Stainless steel versions on request</p>	<p>BB = 3.1 production FL = free from paint wetting impairment substances</p> <p>Optional</p> <ul style="list-style-type: none"> - Flange connection or 90° end connection - Pre-assembled with hose - Dirt protection in coupled state - Vibration resistance acc. to EN61373, Cat.1 - Anti-twist device (Male side to female side)

The exact material and seal quality must be requested depending on the material-neutral part number.

Note: Residual leakage quantities or coupling ingress volumes on request.

Order number configuration
CG-G06-0-L1218-WEDISO-Additional options-Y..

Product chart



NB	Product type	A	De- sign	Ran- ge	Pipe AD	Pipe ID	SW	T	D	L	N	Weight Aluminium	Material-neutral part number
6	Self-sealing coupling (female)	M 18 x 1.5	III	L	12	10	19	11	27.5	74.3		84	CG-G06-0-L1218-....-Y01
6	Self-sealing coupling (female)	NPT 1/4"	XIII				19	10.5	27.5	69.3		65	CG-G06-0-NP513-....-Y01
6	Self-sealing coupling (female)	BSPP 1/4"	VII				19	17	27.5	74.3		82	CG-G06-0-VR013-....-Y01
6	Self-sealing coupling (female)	6 mm	XI			4	19	27.3	27.5	95.6		64	CG-G06-0-XX007-....-Y01
6	Self-sealing adaptor (male)	NPT 1/4"	XII				19	17	27.5	70.3	30	91	CG-G06-2-NP013-....-Y01
6	Self-sealing adaptor (male)	NPT 1/4"	XIII				19	10.5	27.5	60	30	36	CG-G06-2-NP513-....-Y01

NB - Nominal bore [mm] A - Connection SW - Wrench size [mm] T - Thread length [mm] D - Diameter [mm] L - Length [mm] N - Adaptor length [mm] Weight [g]

Series CG

Product chart

NB	Product type	A	De- sign	Ran- ge	Pipe AD	Pipe ID	SW	T	D	L	N	Weight Aluminium	Material-neutral part number
6	Self-sealing adaptor (male)	M 18 x 1.5	IV	L	12	8	22	35.5	27.5	86.8	30	102	CG-G06-2-XX005-....-Y01
6	Self-sealing adaptor (male)	BSPP 1/2"	I				30	13	35	63.5	30	92	CG-G06-2-XX006-....-Y01
9	Self-sealing coupling (female)	BSPP 3/8"	VII				30	12	32	77.6		122	CG-G09-0-VR017-....-Y01
9	Self-sealing adaptor (male)	BSPP 3/8"	VII				30	12	32	63.3	33	71	CG-G09-2-VR017-....-Y01
12	Self-sealing coupling (female)	13 mm	XI			9	32	30	36	101		109	CG-G12-0-SL013-....-Y08
12	Self-sealing coupling (female)	16 mm	XI				32	30	36	100		132	CG-G12-0-XX007-....-Y08
12	Self-sealing coupling (female)	BSPP 1/2"	II				32	12	36	81.9		145	CG-G12-0-XX019-....-Y08
12	Self-sealing coupling (female)	BSPP 1/2"	VII				32	13	36	86.9		140	CG-G12-0-XX027-....-Y08
12	Self-sealing coupling (female)	M 22 x 1.5	III	L	15	10	32	14	36	84.9		105	CG-G12-0-XX031-....-Y08
12	Self-sealing adaptor (male)	BSPP 1/2"	II				32	12	34.5	64.8	40	65	CG-G12-2-XX019-....-Y08
12	Self-sealing adaptor (male)	BSPP 1/2"	VII				32	13	34.5	67.7	40	55	CG-G12-2-XX027-....-Y08
12	Self-sealing adaptor (male)	M 22 x 1.5	III	L	15	10	32	14	34.5	67.6	40	57	CG-G12-2-XX031-....-Y08
16	Self-sealing coupling (female)	BSPP 3/4"	VII				36	16	42	96.1		198	CG-G16-0-VR026-....-Y05
16	Self-sealing coupling (female)	BSPP 3/4"	II				36	16	42	84.9		233	CG-G16-0-XX004-....-Y05
16	Self-sealing coupling (female)	BSPP 1"	II				36	18	42	87.7		224	CG-G16-0-XX005-....-Y05
16	Self-sealing adaptor (male)	BSPP 3/4"	VII				36	16	42	77	34	120	CG-G16-2-VR026-....-Y05
16	Self-sealing adaptor (male)	BSPP 3/4"	II				36	16	42	74.7	34	154	CG-G16-2-XX004-....-Y05
16	Self-sealing adaptor (male)	BSPP 1"	II				36	18	42	77.5	34	146	CG-G16-2-XX005-....-Y05
20	Self-sealing coupling (female)	M 36 x 2	III	L	28	24	50	14	59	115.7		434	CG-G20-0-L2836-....-Y01

NB - Nominal bore [mm] A - Connection SW - Wrench size [mm] T - Thread length [mm] D - Diameter [mm] L - Length [mm] N - Adaptor length [mm] Weight [g]

Series CG

Product chart

NB	Product type	A	De- sign	Ran- ge	Pipe AD	Pipe ID	SW	T	D	L	N	Weight Aluminium	Material-neutral part number
20	Self-sealing coupling (female)	BSPP 1 1/4"	I				50	22	59	122.7		453	CG-G20-0-WR042-....-Y01
20	Self-sealing adaptor (male)	M 36 x 2	III	L	28	24	50	14	59	83.4	47	231	CG-G20-2-L2836-....-Y01
20	Self-sealing adaptor (male)	BSPP 1 1/4"	I				50	22	59	91.4	47	268	CG-G20-2-WR042-....-Y01
25	Self-sealing coupling (female)	M 36 x 2	III	L	28	24	55	14	62	130.7		488	CG-G25-0-L2836-....-Y01
25	Self-sealing coupling (female)	BSPP 1 1/4"	IX				55	20	62	139.7		527	CG-G25-0-WE042-....-Y01
25	Self-sealing adaptor (male)	M 36 x 2	III	L	28	24	55	14	62	90.9	48	255	CG-G25-2-L2836-....-Y01
25	Self-sealing adaptor (male)	BSPP 1 1/4"	IX				55	20	62	99.9	48	294	CG-G25-2-WE042-....-Y01

NB - Nominal bore [mm] A - Connection SW - Wrench size [mm] T - Thread length [mm] D - Diameter [mm] L - Length [mm] N - Adaptor length [mm] Weight [g]