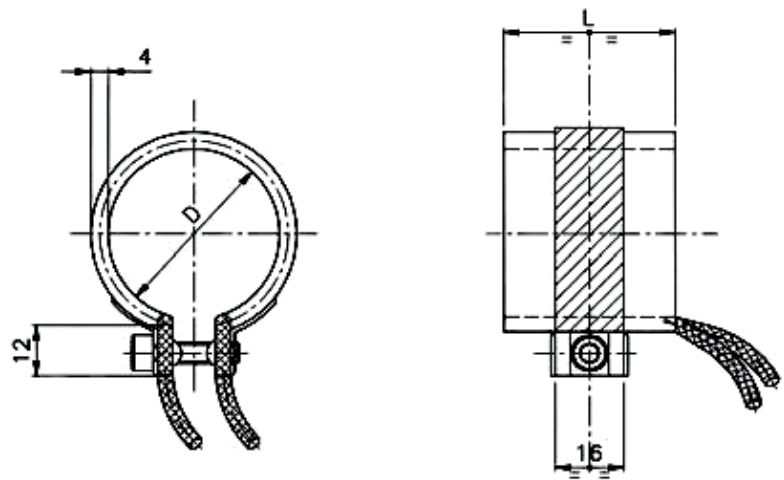


I riscaldatori modello R15 vengono impiegati nei casi in cui lo spazio a disposizione è molto ridotto (stampi a camera calda) ed anche qualora vi sia una azione corrosiva della materia plastica (come ad esempio il PVC ed anche materie come Peek, ABS e PTFE additivati con ritardante di fiamma).

R15 band heaters are usually employed when the space around the nozzle is limited (hot runners) and also in the case of plastic corrosive action (i.e. PVC and other materials like PEEK, ABS and PTFE with flame retardant).



Nr. 1 fascetta fino a L 35 mm
Nr. 2 fascette da L 36 mm a L 60 mm
no. 1 band up to L 35 mm
no. 2 bands from L 36 mm to L 60 mm

Cavo unipolare flessibile, lung. 1000 mm
Flexible unipolar cable, length 1000 mm

Caratteristiche tecniche

- Potenza specifica fino a 7 W/cm²
- Temperatura di esercizio 350/370° C
- Disponibili, a richiesta, con termocoppia incorporata di tipo Fe/CuNi (tipo J)
- Diametro massimo D 110 mm, larghezza massima L 200 mm
- Cavi di alimentazione fuori misura standard, a richiesta
- Tensione di alimentazione standard 230 V
- Disponibili, a richiesta, tensioni e potenze differenti

Materiali impiegati

- Involucro in acciaio ad alta conducibilità termica
- Avvolgimento resistivo in Nichel-Cromo 80/20
- Isolamento in mica continua
- Cavi di alimentazione flessibili unipolari
- Conduttori in nichel isolati teflon-vetro con guaina metallica protettiva

Technical features

- Specific wattage up to 7 W/cm²
- Working temperature 350/370° C
- Available, upon request, with built-in thermocouple J
- Max. diameter D 110 mm, max. width L 200 mm
- Feeding lead length over 1000 mm, upon request
- Standard feeding voltage 230 V
- Different voltage and wattage, upon request

Materials

- High thermal conductivity steel casing
- Nickel-Chrome 80/20 resistive winding
- Continuous mica insulation
- Flexible unipolar feeding leads
- Teflon-fibreglass insulated nickel conductors, with metal braiding protection

R15

- Riscaldatore a Fascia per Ugelli (acciaio)
- Nozzle Band Heater (steel)



| Ø D mm | L mm | Watt | Codice / Code |
|--------|------|------|---------------|
| 25 | 30 | 115 | RE25x30R15 |
| 30 | 25 | 125 | RE30x25R15 |
| 30 | 30 | 155 | RE30x30R15 |
| 30 | 35 | 180 | RE30x35R15 |
| 30 | 40 | 205 | RE30x40R15 |
| 35 | 25 | 150 | RE35x25R15 |
| 35 | 30 | 180 | RE35x30R15 |
| 35 | 35 | 210 | RE35x35R15 |
| 35 | 40 | 240 | RE35x40R15 |
| 35 | 45 | 270 | RE35x45R15 |
| 40 | 25 | 170 | RE40x25R15 |
| 40 | 30 | 205 | RE40x30R15 |
| 40 | 35 | 240 | RE40x35R15 |
| 40 | 40 | 275 | RE40x40R15 |
| 40 | 45 | 310 | RE40x45R15 |
| 42 | 25 | 180 | RE42x25R15 |
| 42 | 30 | 215 | RE42x30R15 |
| 42 | 35 | 250 | RE42x35R15 |
| 42 | 40 | 290 | RE42x40R15 |
| 45 | 25 | 155 | RE45x25R15 |
| 45 | 30 | 190 | RE45x30R15 |
| 45 | 35 | 220 | RE45x35R15 |
| 45 | 40 | 250 | RE45x40R15 |
| 45 | 45 | 285 | RE45x45R15 |
| 45 | 50 | 315 | RE45x50R15 |
| 50 | 20 | 170 | RE50x20R15 |
| 50 | 25 | 215 | RE50x25R15 |
| 50 | 30 | 255 | RE50x30R15 |
| 50 | 35 | 300 | RE50x35R15 |
| 50 | 40 | 345 | RE50x40R15 |
| 50 | 50 | 430 | RE50x50R15 |
| 55 | 20 | 185 | RE55x20R15 |
| 55 | 25 | 235 | RE55x25R15 |
| 55 | 30 | 280 | RE55x30R15 |
| 55 | 35 | 330 | RE55x35R15 |
| 55 | 40 | 375 | RE55x40R15 |
| 55 | 50 | 470 | RE55x50R15 |
| 55 | 60 | 565 | RE55x60R15 |
| 60 | 20 | 205 | RE60x20R15 |
| 60 | 25 | 255 | RE60x25R15 |
| 60 | 30 | 310 | RE60x30R15 |
| 60 | 35 | 360 | RE60x35R15 |
| 60 | 40 | 410 | RE60x40R15 |
| 60 | 50 | 515 | RE60x50R15 |
| 60 | 60 | 620 | RE65x60R15 |
| 65 | 20 | 220 | RE65x20R15 |
| 65 | 25 | 280 | RE65x25R15 |
| 65 | 30 | 335 | RE65x30R15 |
| 65 | 35 | 390 | RE65x35R15 |
| 65 | 40 | 445 | RE65x40R15 |
| 65 | 50 | 560 | RE65x50R15 |
| 65 | 60 | 670 | RE65x60R15 |

| Ø D mm | L mm | Watt | Codice/ Code |
|--------|------|------|--------------|
| 70 | 20 | 240 | RE70x20R15 |
| 70 | 25 | 300 | RE70x25R15 |
| 70 | 30 | 360 | RE70x30R15 |
| 70 | 35 | 420 | RE70x35R15 |
| 70 | 40 | 480 | RE70x40R15 |
| 70 | 50 | 600 | RE70x50R15 |
| 70 | 60 | 725 | RE70x60R15 |
| 75 | 20 | 255 | RE75x20R15 |
| 75 | 25 | 320 | RE75x25R15 |
| 75 | 30 | 385 | RE75x30R15 |
| 75 | 35 | 450 | RE75x35R15 |
| 75 | 40 | 515 | RE75x40R15 |
| 75 | 50 | 645 | RE75x50R15 |
| 75 | 60 | 775 | RE75x60R15 |
| 80 | 20 | 275 | RE80x20R15 |
| 80 | 25 | 345 | RE80x25R15 |
| 80 | 30 | 410 | RE80x30R15 |
| 80 | 35 | 480 | RE80x35R15 |
| 80 | 40 | 550 | RE80x40R15 |
| 80 | 50 | 690 | RE80x50R15 |
| 80 | 60 | 825 | RE80x60R15 |
| 85 | 20 | 290 | RE85x20R15 |
| 85 | 25 | 365 | RE85x25R15 |
| 85 | 30 | 440 | RE85x30R15 |
| 85 | 35 | 510 | RE85x35R15 |
| 85 | 40 | 585 | RE85x40R15 |
| 85 | 50 | 730 | RE85x50R15 |
| 85 | 60 | 880 | RE85x60R15 |
| 90 | 20 | 310 | RE90x20R15 |
| 90 | 25 | 410 | RE90x25R15 |
| 90 | 30 | 490 | RE90x30R15 |
| 90 | 35 | 570 | RE90x35R15 |
| 90 | 40 | 655 | RE90x40R15 |
| 90 | 50 | 820 | RE90x50R15 |
| 90 | 60 | 980 | RE90x60R15 |
| 95 | 20 | 325 | RE95x20R15 |
| 95 | 25 | 410 | RE95x25R15 |
| 95 | 30 | 490 | RE95x30R15 |
| 95 | 35 | 570 | RE95x35R15 |
| 95 | 40 | 655 | RE95x40R15 |
| 95 | 50 | 820 | RE95x50R15 |
| 95 | 60 | 980 | RE95x60R15 |
| 100 | 20 | 345 | RE100x20R15 |
| 100 | 25 | 430 | RE100x25R15 |
| 100 | 30 | 515 | RE100x30R15 |
| 100 | 35 | 600 | RE100x35R15 |
| 100 | 40 | 690 | RE100x40R15 |
| 100 | 50 | 860 | RE100x50R15 |
| 100 | 60 | 1030 | RE100x60R15 |

Esempio di ordinativo: Codice
Example of purchasing order: Code

Note/Note

- Elementi disponibili a magazzino
- Potenza specifica 5,5 watt x cm² - 230 volt
- Elements available from stock
- Specific wattage 5,5 watt x cm² - 230 volt