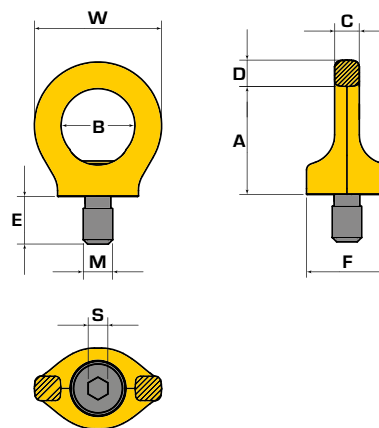


R0635 Golfare orientabile Key eye point



Descrizione:

Description:

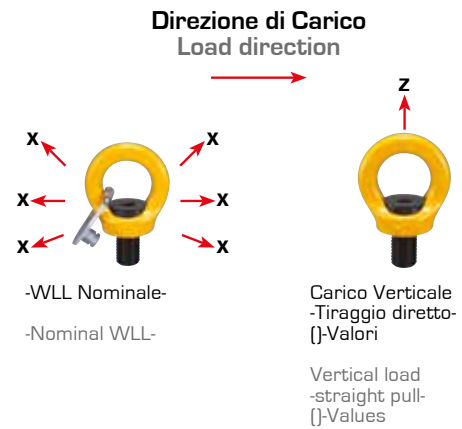
Cod.	Limite di Carico Working Load Limit (t*)		Filettatura Thread	Mom. torcen. Torque (Nm)	N.W. (kg)	Dimensioni Dimension (mm)							
	X	Z				A	B	C	D	E	F	S	W
R0635-01-0001	0.4	1	M10 x 1.5	10	0.1	36	25	8	9	15	25	6	44
R0635-01-0002	0.75	2	M12 x 1.75	10	0.2	45	30	10	11	18	33	8	52
R0635-01-0003	1.5	4	M16 x 2	30	0.3	52	35	14	13	24	35	10	61
R0635-01-0004	2.3	6	M20 x 2.5	70	0.6	60	40	16	15	30	44	12	70
R0635-01-0005	3.2	8	M24 x 3	150	1	72	48	19	18	36	52	14	84
R0635-01-0006	4.5	12	M30 x 3.5	350	1.8	90	60	24	22	45	60	17	105
R0635-01-0007	7	16	M36 x 4	410	3.2	109	72	29	27	54	76	22	126
R0635-01-0008	9	24	M42 x 4.5	550	5	123	82	34	32	63	88	24	147
R0635-01-0009	12	32	M48 x 5	550	7.6	144	94	38	37	72	104	27	168
R0635-01-0010	12	32	M56 x 5.5	800	9.2	147	102	40	43	84	124	27	178
R0635-01-0011	12	32	M64 x 6	800	10	147	102	40	43	95	124	27	178

Cod. Ranco	Cod. Yoke
R0635-01-0001	8-291K-004
R0635-01-0002	8-291K-007
R0635-01-0003	8-291K-015
R0635-01-0004	8-291K-023
R0635-01-0005	8-291K-032
R0635-01-0006	8-291K-045

Cod. Ranco	Cod. Yoke
R0635-01-0007	8-291K-070
R0635-01-0008	8-291K-090
R0635-01-0009	8-291K-120
R0635-01-0010	8-291K-140
R0635-01-0011	8-291K-150

R0635

Golfare orientabile
Key eye point



	Numero di gambe Number of legs	Direzione di Carico Load direction	Cod. 0635-01-	0001	0002	0003	0004	0005	0006	0007	0008	0009	0010	0011
			Filett. Thread	M10	M12	M16	M20	M24	M30	M36	M42	M48	M56	M64
	1	0°		1	2	4	6	8	12	16	24	32	32	32
	2	0°		2	4	8	12	16	24	32	48	64	64	64
	1	90°		0.4	0.75	1.5	2.3	3.2	4.5	7	9	12	12	12
	2	90°		0.8	1.5	3	4.6	6.4	9	14	18	24	24	24
	2	0 - 45°		0.56	1	2.1	3.2	4.5	6.3	9.8	12.6	16.8	16.8	16.8
	2	45° - 60°		0.4	0.75	1.5	2.3	3.2	4.5	7	9	12	12	12
	2	assimm. unsymm.		0.4	0.75	1.5	2.3	3.2	4.5	7	9	12	12	12
	3 - 4	0° - 45°		0.8	1.5	3.1	4.8	6.7	9.4	14.7	18.9	25	25	25
	3 - 4	45° - 60°		0.6	1.1	2.2	3.4	4.8	6.7	10.5	13.5	18	18	18
	3 - 4	assimm. unsymm.		0.4	0.75	1.5	2.3	3.2	4.5	7	9	12	12	12