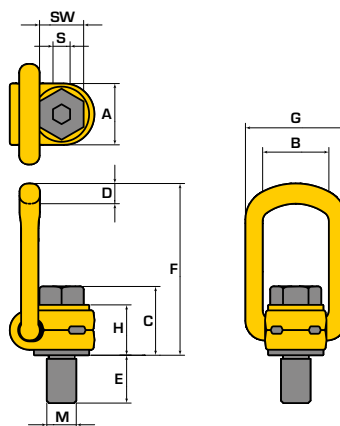


## R0632 Golfare ad anello orientabile Lifting point



Descrizione:

Description:

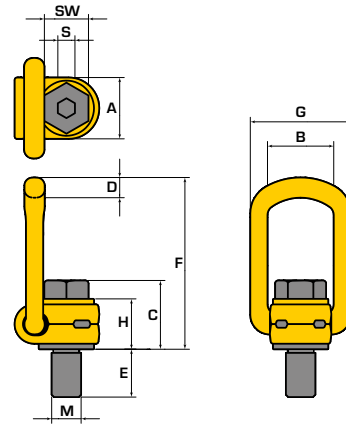
Cod.	Limite di Carico Working Load Limit [t*]	Filettatura Thread	Mom. torcen. Torque (Nm)	N.W. (kg)	Dimensioni Dimension [mm]									
					A	B	C	D	E	F	G	H	S	SW
R0632-01-0001	0.63	M10 x 1.5	60	0.3	30	35	36	10	16	85	55	29	6	17
R0632-01-0002	1	M12 x 1.75	100	0.5	33	37	44	14	18	98	57	36	8	19
R0632-01-0003	1.5	M16 x 2	150	0.5	33	37	46	14	24	98	57	36	10	24
R0632-01-0004	2.5	M20 x 2.5	250	1.3	50	54	57	17	30	140	82	44	12	30
R0632-01-0005	4	M24 x 3	400	1.4	50	54	59	17	36	140	82	44	14	36
R0632-01-0006	5	M30 x 3.5	500	3.1	60	65	81	23	48	170	99	62	17	46
R0632-01-0007	7	M36 x 4	700	3.3	60	65	74	23	54	170	99	65	22	55
R0632-01-0008	8	M36 x 4	800	5.8	77	85	101	27	62	225	124	78	22	55
R0632-01-0009	10	M42 x 4.5	1000	6.3	77	85	104	27	72	225	124	78	24	65
R0632-01-0010	15	M42 x 4.5	1500	10.8	95	104	112	36	63	256	158	86	24	65
R0632-01-0011	20	M48 x 5	2000	11.6	95	104	120	36	72	259	158	90	27	75

Cod. Ranco	Cod. Yoke
R0632-01-0001	8-211-006
R0632-01-0002	8-211-010
R0632-01-0003	8-211-015
R0632-01-0004	8-211-025
R0632-01-0005	8-211-040
R0632-01-0006	8-211-050

Cod. Ranco	Cod. Yoke
R0632-01-0007	8-211-070
R0632-01-0008	8-211-080
R0632-01-0009	8-211-100
R0632-01-0010	8-211-150
R0632-01-0011	8-211-200

## R0632

Golfare ad anello orientabile  
Lifting point



	Numero di gambe Number of legs	Direzione di Carico Load direction	Cod. 0632-01-	0001	0002	0003	0004	0005	0006	0007	0008	0009	0010	0011
			Filett. Thread	M10	M12	M16	M20	M24	M30	M36	M36	M42	M42	M48
	1	0°		0.63	1	1.5	2.5	4	5	7	8	10	15	20
	2	0°		1.26	2	3	5	8	10	14	16	20	30	40
	1	90°		0.63	1	1.5	2.5	4	5	7	8	10	15	20
	2	90°		1.26	2	3	5	8	10	14	16	20	30	40
	2	0 - 45°		0.88	1.4	2.1	3.5	5.6	7	9.8	11.2	14	21	28
	2	45° - 60°		0.63	1	1.5	2.5	4	5	7	8	10	15	20
	2	assimm. unsymm.		0.63	1	1.5	2.5	4	5	7	8	10	15	20
	3 - 4	0° - 45°		1.32	2.1	3.1	5.2	8.4	10.5	14.7	16.8	21	31.5	42
	3 - 4	45° - 60°		0.95	1.5	2.2	3.7	6	7.5	10.5	12	15	22.5	30
	3 - 4	assimm. unsymm.		0.63	1	1.5	2.5	4	5	7	8	10	15	20