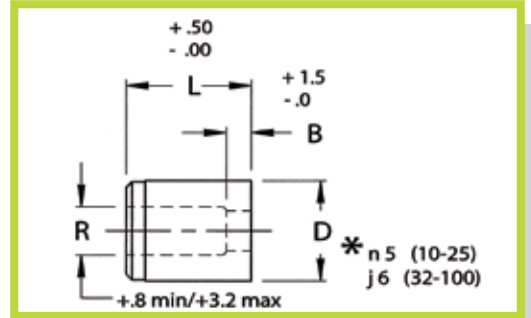


RD_

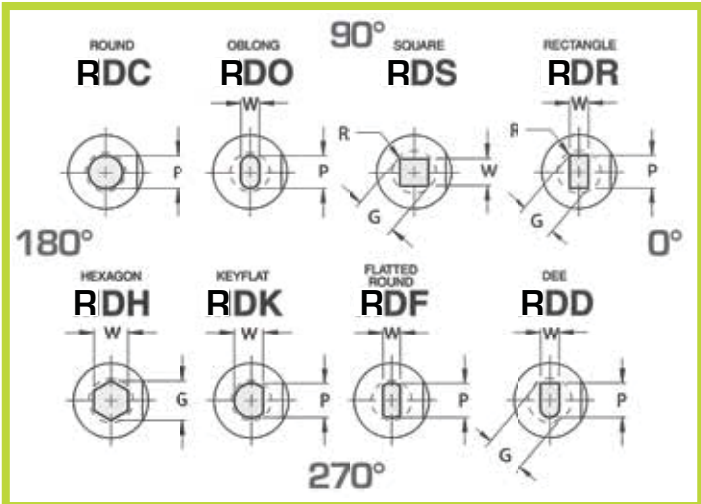
- Matrice press fit liscia
- Press Fit button counter bore relief



Materiale: Acciaio A2, HRC 58-60
Material: Steel A2, HRC 58-60

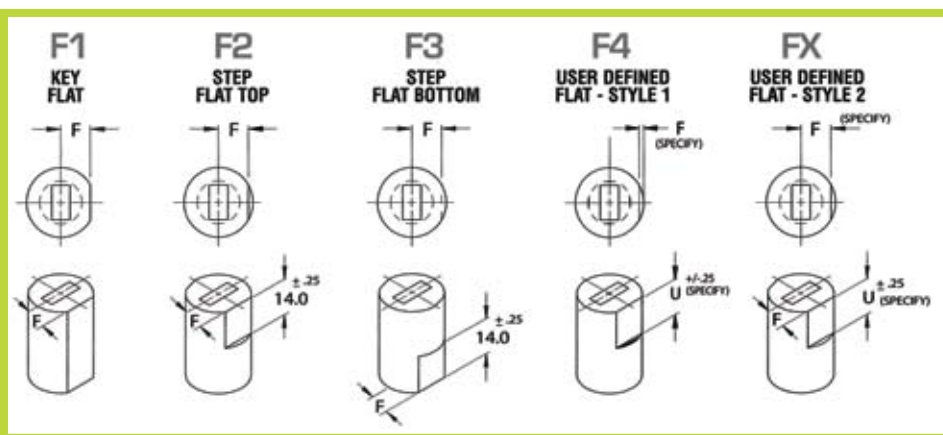


Esempio di ordinativo: MD_D L P_ W_ F_ Angolo
Example of purchasing order: MD_D L P_ W_ F_ Angle



R è variabile in funzione di P
R is variable depending on P

| Codice Code | D | B | Tondo-Round | | Forma - Shape | | L | | | | | |
|----------------|----|-----|-----------------------|--|---------------|---------|----|----|----|----|----|----|
| | | | Intervallo Range P | | MIN W | MAX G/P | 22 | 25 | 28 | 30 | 32 | 35 |
| RD_ 10 | 10 | 4.0 | 1.60 - 5.00 | | 1.60 | 5.00 | • | • | • | • | • | • |
| RD_ 13 | 13 | 5.0 | 1.80 - 7.20 | | 1.80 | 7.20 | • | • | • | • | • | • |
| RD_ 16 | 16 | 5.0 | 5.00 - 8.80 | | 2.50 | 8.80 | • | • | • | • | • | • |
| RD_ 20 | 20 | 5.0 | 5.50 - 11.00 | | 3.20 | 11.00 | • | • | • | • | • | • |
| RD_ 22 | 22 | 6.0 | 7.50 - 14.00 | | 4.00 | 14.00 | • | • | • | • | • | • |
| RD_ 25 | 25 | 6.0 | 9.50 - 16.50 | | 4.80 | 16.50 | • | • | • | • | • | • |
| RD_ 32 | 32 | 6.0 | 13.00 - 20.00 | | 5.50 | 20.00 | • | • | • | • | • | • |
| RD_ 38 | 38 | 8.0 | 16.00 - 26.00 | | 6.40 | 26.00 | • | • | • | • | • | • |
| RD_ 40 | 40 | 8.0 | 16.60 - 26.00 | | 6.40 | 26.00 | • | • | • | • | • | • |



| DIAMETRO CORPO BODY DIAMETER | F +.02 -.00 |
|---------------------------------|----------------|
| 10 | 4.0 |
| 13 | 5.5 |
| 16 | 7.0 |
| 20 | 8.5 |
| 22 | 9.5 |
| 25 | 11.0 |
| 32 | 14.0 |
| 38 | 17.0 |
| 40 | 18.0 |
| 45 | 20.5 |
| 50 | 23.0 |
| 56 | 26.0 |
| 63 | 29.5 |
| 71 | 33.5 |
| 76 | 35.5 |
| 85 | 40.0 |
| 90 | 42.5 |
| 100 | 47.5 |