

R0524

Kamlock ad attacco rapido a presa/ Kamlock quick plug



Materiale: 1.4401
 Material: 1.4401
Filetto: DIN 14-420-7
 Material: DIN 14-420-7

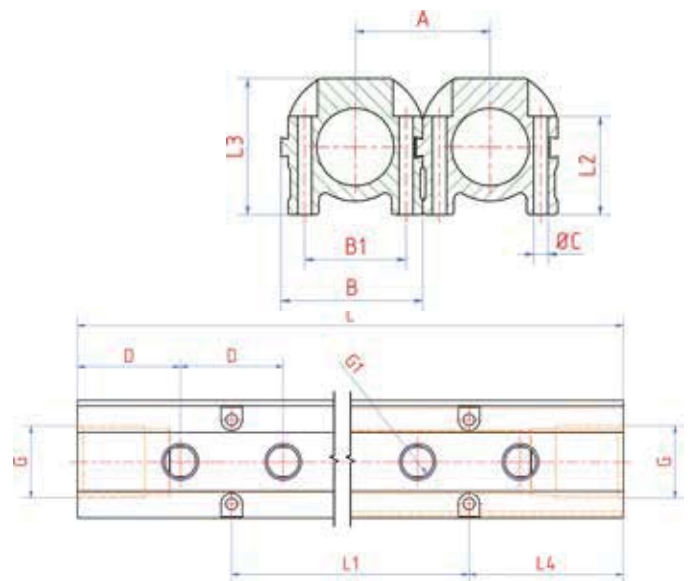
Codice / Code	Dimensione Size	DN	h	Ident Size	Peso per pz (Gr) Weight pc. (G)
R0524-09-0001	50=1/2"	15	36	24	73
R0524-09-0002	75=3/4"	20	39	32,1	93
R0524-09-0003	100=1"	25	46	36,7	139
R0524-09-0004	125=1 1/4"	32	55	45,5	260
R0524-09-0005	150=1 1/2"	40	57	53,4	335
R0524-09-0006	200=2"	50	60	63	441
R0524-09-0007	250=2 1/2"	65	66	75,8	657
R0524-09-0008	300=3"	80	66	91,5	804
R0524-09-0009	400=4"	100	68	119,5	1525

R0525

Base Espulsore/ Ejectors base



Materiale: 1.4401
 Material: 1.4401
Filetto: DIN 14-420-7
 Material: DIN 14-420-7



Codice / Code	Colore superfic. Out Color	G1	G	Lungh. Length	B	L1	L2	L3	L2	OC	A	D	B1	Peso per pz (Gr) Weight pc. (G)
R0525-09-0001	4 blu/blue	G 1/4"	G 3/4"	190	43,5	114	30	41,5	38	4,3	41,3	38	31	500
R0525-09-0002	4 rosso/red	G 1/4"	G 3/4"	190	43,5	114	30	41,5	38	4,3	41,3	38	31	500
R0525-09-0003	6 blu/blue	G 1/4"	G 3/4"	266	43,5	190	30	41,5	38	4,3	41,3	38	31	700
R0525-09-0004	6 rosso/red	G 1/4"	G 3/4"	266	43,5	190	30	41,5	38	4,3	41,3	38	31	700
R0525-09-0005	8 blu/blue	G 1/4"	G 3/4"	342	43,5	266	30	41,5	38	4,3	41,3	38	31	900
R0525-09-0006	8 rosso/red	G 1/4"	G 3/4"	342	43,5	266	30	41,5	38	4,3	41,3	38	31	900
R0525-09-0007	10 blu/blue	G 1/4"	G 3/4"	418	43,5	342	30	41,5	38	4,3	41,3	38	31	1100
R0525-09-0008	10 rosso/red	G 1/4"	G 3/4"	418	43,5	342	30	41,5	38	4,3	41,3	38	31	1100

Esempio di ordinativo: Codice
 Example of purchasing order: Code