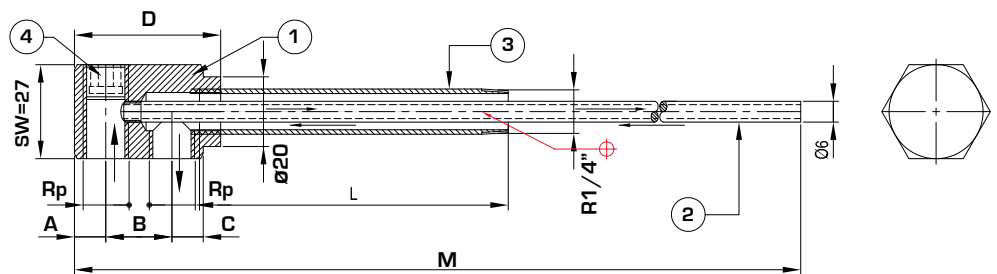


## R0394

### Raffreddatore a fontana Cascade water junction

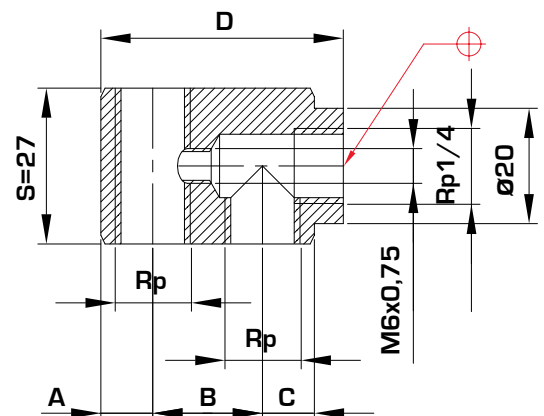
Completo di prolunga  
Extension pipes set  
Materiale: Ottone  
Material: Brass



Codice Code	Rp	M	A	B	D	C	L
R0394-09-0001	1/8"	356	9	19	42	9	50
R0394-09-0002	1/8"	356	9	19	42	9	100
R0394-09-0003	1/8"	356	9	19	42	9	150
R0394-09-0004	1/8"	356	9	19	42	9	200
R0394-09-0005	1/4"	356	9	19	42	9	50
R0394-09-0006	1/4"	356	9	19	42	9	100
R0394-09-0007	1/4"	356	9	19	42	9	150
R0394-09-0008	1/4"	356	9	19	42	9	200
R0394-09-0009	1/8"	362	9	26	54	12	50
R0394-09-0010	1/8"	362	9	26	54	12	100
R0394-09-0011	1/8"	362	9	26	54	12	150
R0394-09-0012	1/8"	362	9	26	54	12	200
R0394-09-0013	1/4"	362	9	26	54	12	50
R0394-09-0014	1/4"	362	9	26	54	12	100
R0394-09-0015	1/4"	362	9	26	54	12	150
R0394-09-0016	1/4"	362	9	26	54	12	200

①

### Corpo raffreddatore a fontana senza prolunga Cascade water junction's body without extension

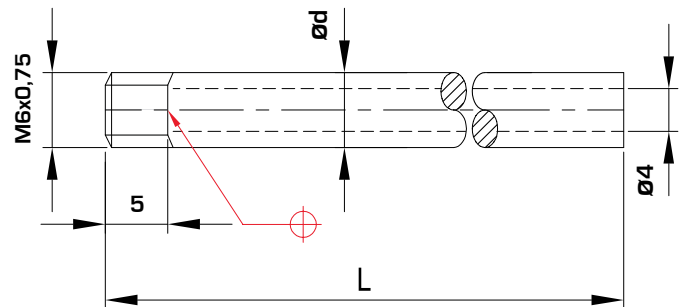


Codice Code	Rp	M	A	B	D	C
R0394-09-0017	1/8"	356	9	19	42	9
R0394-09-0018	1/4"	356	9	19	42	9
R0394-09-0019	1/8"	362	9	26	54	12
R0394-09-0020	1/4"	362	9	26	54	12

Esempio di ordinativo: Codice  
Example of purchasing order: Code

②

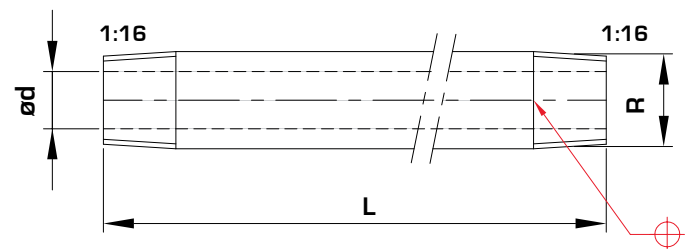
**Prolunga ricambio per raffreddatore a fontana**  
Spare extension for cascade water junction



Codice Code	d	L
R0394-09-0021	6	340

③

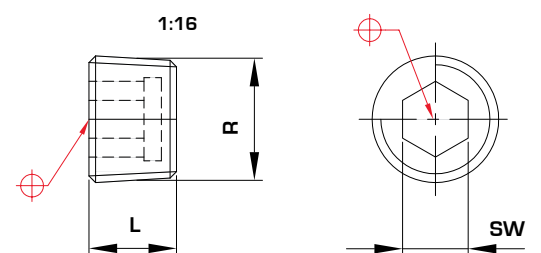
**Prolunga per raffreddatore a fontana**  
Extension for cascade water junction



Codice Code	R	D	L
R0514-09-0006	BSPT 1/4"	9	50
R0514-09-0007	BSPT 1/4"	9	100
R0514-09-0008	BSPT 1/4"	9	150
R0514-09-0009	BSPT 1/4"	9	200
R0514-09-0010	BSPT 1/4"	9	250

④

**Tappo conico filettato**  
Conical ruffled plug



Codice Code	R	L	SW
R0396-09-0001	BSPT 1/8"	8	5
R0396-09-0002	BSPT 1/4"	10	7

**Esempio di ordinativo: Codice**  
Example of purchasing order: Code