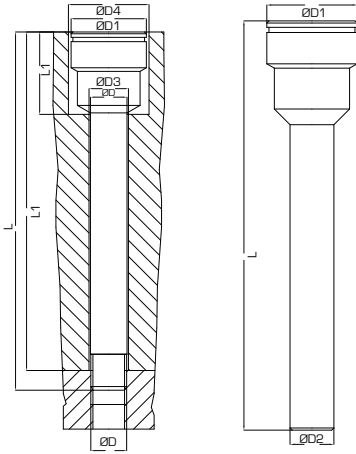


R0385

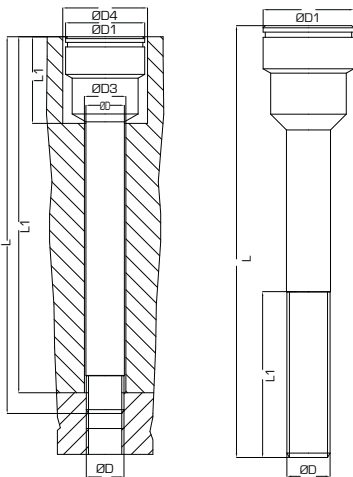
Attacco prolunga / Extension socket



Ordine Nr. Order No	per filetto for thread	ØD1	ØD2	ØD3	ØD4	L Min.-Max.	L1	L2	ES. INT. INNER HEX.
R0385-09-0001	1/8"	17	10.2	11	18.5	33-100	20	L-5.5	6
R0385-09-0002	1/8"	21	10.2	11	22.5	33-100	23	L-5.5	6
R0385-09-0003	1/8"	21	10.2	11	22.5	100-150	23	L-5.5	6
R0385-09-0004	1/8"	21	10.2	11	22.5	150-200	23	L-5.5	6
R0385-09-0005	1/8"	21	10.2	11	22.5	200-250	23	L-5.5	6
R0385-09-0006	1/4"	21	13.5	14	22.5	34-100	23	L-7.5	8
R0385-09-0007	1/4"	21	13.5	14	22.5	100-150	23	L-7.5	8
R0385-09-0008	1/4"	21	13.5	14	22.5	150-200	23	L-7.5	8
R0385-09-0009	1/4"	21	13.5	14	22.5	200-250	23	L-7.5	8
R0385-09-0010	3/8"	32	17.2	18	33.5	59-150	43	L-8.5	14
R0385-09-0011	3/8"	32	17.2	18	33.5	150-200	43	L-8.5	14
R0385-09-0012	3/8"	32	17.2	18	33.5	200-250	43	L-8.5	14
R0385-09-0013	1/2"	32	21.3	22	33.5	59-150	45	L-11.5	14
R0385-09-0014	1/2"	32	21.3	22	33.5	150-200	45	L-11.5	14
R0385-09-0015	1/2"	32	21.3	22	33.5	200-250	45	L-11.5	14

R0386

Attacco prolunga con filetto / Extension socket with thread



Ordine Nr. Order No	ØD dim. filetto thread size	ØD1	ØD2	ØD3	L Min.-Max.	L1	L2	ES. INT. INNER HEX.
R0386-09-0001	BSP 1/8"	21	11	22.5	35-50	26	L-5.5	6
R0386-09-0002	BSP 1/8"	21	11	22.5	50-100	60	L-5.5	6
R0386-09-0003	BSP 1/8"	21	11	22.5	100-150	60	L-5.5	6
R0386-09-0004	BSP 1/4"	21	14	22.5	39-50	27	L-7.5	8
R0386-09-0005	BSP 1/4"	21	14	22.5	55-100	60	L-7.5	8
R0386-09-0006	BSP 1/4"	21	14	22.5	105-150	60	L-7.5	8
R0386-09-0007	BSP 1/4"	21	14	22.5	155-200	60	L-7.5	8

Esempio di ordinativo: Codice
Example of purchasing order: Code