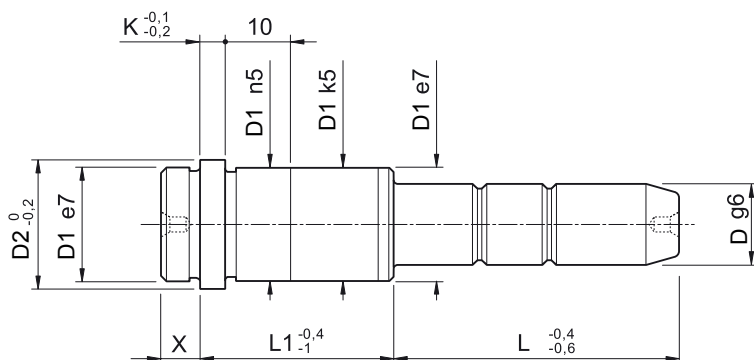


### R0216

Colonna di guida a due diametri con codolo di centraggio

Two diameters guide pillar with centering collar



#### Descrizione:

**Materiale:** 1.7139 Tempra  
**Trattamento termico:** Cementazione + Tempra

Codice Code	D	D1	D2	L	L1	K	X
R0216-03-0001	14	20	25	35	17	6	9
R0216-03-0002	14	20	25	55	17	6	9
R0216-03-0003	14	20	25	75	17	6	9
R0216-03-0004	14	20	25	95	17	6	9
R0216-03-0005	14	20	25	25	22	6	9
R0216-03-0006	14	20	25	35	22	6	9
R0216-03-0007	14	20	25	55	22	6	9
R0216-03-0008	14	20	25	75	22	6	9
R0216-03-0009	14	20	25	95	22	6	9
R0216-03-0010	14	20	25	115	22	6	9
R0216-03-0011	14	20	25	135	22	6	9
R0216-03-0012	14	20	25	25	27	6	9
R0216-03-0013	14	20	25	35	27	6	9
R0216-03-0014	14	20	25	55	27	6	9
R0216-03-0015	14	20	25	75	27	6	9
R0216-03-0016	14	20	25	95	27	6	9
R0216-03-0017	14	20	25	115	27	6	9
R0216-03-0018	14	20	25	135	27	6	9
R0216-03-0019	14	20	25	155	27	6	9
R0216-03-0020	14	20	25	25	36	6	9
R0216-03-0021	14	20	25	35	36	6	9
R0216-03-0022	14	20	25	55	36	6	9
R0216-03-0023	14	20	25	75	36	6	9
R0216-03-0024	14	20	25	95	36	6	9
R0216-03-0025	14	20	25	115	36	6	9
R0216-03-0026	14	20	25	135	36	6	9
R0216-03-0027	14	20	25	155	36	6	9
R0216-03-0028	14	20	25	35	46	6	9
R0216-03-0029	14	20	25	55	46	6	9
R0216-03-0030	14	20	25	75	46	6	9
R0216-03-0031	14	20	25	95	46	6	9
R0216-03-0032	14	20	25	115	46	6	9
R0216-03-0033	14	20	25	135	46	6	9
R0216-03-0034	14	20	25	35	56	6	9
R0216-03-0035	14	20	25	55	56	6	9
R0216-03-0036	14	20	25	75	56	6	9
R0216-03-0037	14	20	25	95	56	6	9
R0216-03-0038	14	20	25	115	56	6	9
R0216-03-0039	14	20	25	135	56	6	9
R0216-03-0040	14	20	25	35	66	6	9
R0216-03-0041	14	20	25	55	66	6	9
R0216-03-0042	14	20	25	75	66	6	9
R0216-03-0043	14	20	25	95	66	6	9
R0216-03-0044	14	20	25	115	66	6	9
R0216-03-0045	14	20	25	55	76	6	9

#### Description:

**Material:** 1.7139 Hardened  
**Heat treatment:** Cementing + Hardening

Codice Code	D	D1	D2	L	L1	K	X
R0216-03-0046	14	20	25	75	76	6	9
R0216-03-0047	14	20	25	95	76	6	9
R0216-03-0048	14	20	25	55	86	6	9
R0216-03-0049	14	20	25	75	86	6	9
R0216-03-0050	14	20	25	95	86	6	9
R0216-03-0051	14	20	25	55	96	6	9
R0216-03-0052	14	20	25	75	96	6	9
R0216-03-0053	14	20	25	95	96	6	9
R0216-03-0054	15	20	25	35	17	6	9
R0216-03-0055	15	20	25	55	17	6	9
R0216-03-0056	15	20	25	75	17	6	9
R0216-03-0057	15	20	25	95	17	6	9
R0216-03-0058	15	20	25	25	22	6	9
R0216-03-0059	15	20	25	35	22	6	9
R0216-03-0060	15	20	25	55	22	6	9
R0216-03-0061	15	20	25	75	22	6	9
R0216-03-0062	15	20	25	95	22	6	9
R0216-03-0063	15	20	25	115	22	6	9
R0216-03-0064	15	20	25	135	22	6	9
R0216-03-0065	15	20	25	25	27	6	9
R0216-03-0066	15	20	25	35	27	6	9
R0216-03-0067	15	20	25	55	27	6	9
R0216-03-0068	15	20	25	75	27	6	9
R0216-03-0069	15	20	25	95	27	6	9
R0216-03-0070	15	20	25	115	27	6	9
R0216-03-0071	15	20	25	135	27	6	9
R0216-03-0072	15	20	25	155	27	6	9
R0216-03-0073	15	20	25	25	36	6	9
R0216-03-0074	15	20	25	35	36	6	9
R0216-03-0075	15	20	25	55	36	6	9
R0216-03-0076	15	20	25	75	36	6	9
R0216-03-0077	15	20	25	95	36	6	9
R0216-03-0078	15	20	25	115	36	6	9
R0216-03-0079	15	20	25	135	36	6	9
R0216-03-0080	15	20	25	155	36	6	9
R0216-03-0081	15	20	25	35	46	6	9
R0216-03-0082	15	20	25	55	46	6	9
R0216-03-0083	15	20	25	75	46	6	9
R0216-03-0084	15	20	25	95	46	6	9
R0216-03-0085	15	20	25	115	46	6	9
R0216-03-0086	15	20	25	135	46	6	9
R0216-03-0087	15	20	25	35	56	6	9
R0216-03-0088	15	20	25	55	56	6	9
R0216-03-0089	15	20	25	75	56	6	9
R0216-03-0090	15	20	25	95	56	6	9

### R0216

Colonna di guida a due diametri con codolo di centraggio

Two diameters guide pillar with centering collar

Codice Code	D	D1	D2	L	L1	K	X
R0216-03-0091	15	20	25	115	56	6	9
R0216-03-0092	15	20	25	135	56	6	9
R0216-03-0093	15	20	25	35	66	6	9
R0216-03-0094	15	20	25	55	66	6	9
R0216-03-0095	15	20	25	75	66	6	9
R0216-03-0096	15	20	25	95	66	6	9
R0216-03-0097	15	20	25	115	66	6	9
R0216-03-0098	15	20	25	55	76	6	9
R0216-03-0099	15	20	25	75	76	6	9
R0216-03-0100	15	20	25	95	76	6	9
R0216-03-0101	15	20	25	55	86	6	9
R0216-03-0102	15	20	25	75	86	6	9
R0216-03-0103	15	20	25	95	86	6	9
R0216-03-0104	15	20	25	55	96	6	9
R0216-03-0105	15	20	25	75	96	6	9
R0216-03-0106	15	20	25	95	96	6	9
R0216-03-0107	18	26	31	35	17	6	9
R0216-03-0108	18	26	31	55	17	6	9
R0216-03-0109	18	26	31	75	17	6	9
R0216-03-0110	18	26	31	95	17	6	9
R0216-03-0111	18	26	31	115	17	6	9
R0216-03-0112	18	26	31	35	22	6	9
R0216-03-0113	18	26	31	55	22	6	9
R0216-03-0114	18	26	31	75	22	6	9
R0216-03-0115	18	26	31	95	22	6	9
R0216-03-0116	18	26	31	115	22	6	9
R0216-03-0117	18	26	31	135	22	6	9
R0216-03-0118	18	26	31	35	27	6	9
R0216-03-0119	18	26	31	55	27	6	9
R0216-03-0120	18	26	31	75	27	6	9
R0216-03-0121	18	26	31	95	27	6	9
R0216-03-0122	18	26	31	115	27	6	9
R0216-03-0123	18	26	31	135	27	6	9
R0216-03-0124	18	26	31	155	27	6	9
R0216-03-0125	18	26	31	195	27	6	9
R0216-03-0126	18	26	31	235	27	6	9
R0216-03-0127	18	26	31	35	36	6	9
R0216-03-0128	18	26	31	55	36	6	9
R0216-03-0129	18	26	31	75	36	6	9
R0216-03-0130	18	26	31	95	36	6	9
R0216-03-0131	18	26	31	115	36	6	9
R0216-03-0132	18	26	31	135	36	6	9
R0216-03-0133	18	26	31	155	36	6	9
R0216-03-0134	18	26	31	195	36	6	9
R0216-03-0135	18	26	31	235	36	6	9
R0216-03-0136	18	26	31	35	46	6	9
R0216-03-0137	18	26	31	55	46	6	9
R0216-03-0138	18	26	31	75	46	6	9
R0216-03-0139	18	26	31	95	46	6	9
R0216-03-0140	18	26	31	115	46	6	9
R0216-03-0141	18	26	31	135	46	6	9
R0216-03-0142	18	26	31	155	46	6	9
R0216-03-0143	18	26	31	195	46	6	9
R0216-03-0144	18	26	31	235	46	6	9
R0216-03-0145	18	26	31	35	56	6	9
R0216-03-0146	18	26	31	55	56	6	9
R0216-03-0147	18	26	31	75	56	6	9
R0216-03-0148	18	26	31	95	56	6	9
R0216-03-0149	18	26	31	115	56	6	9
R0216-03-0150	18	26	31	135	56	6	9
R0216-03-0151	18	26	31	155	56	6	9
R0216-03-0152	18	26	31	195	56	6	9
R0216-03-0153	18	26	31	35	66	6	9
R0216-03-0154	18	26	31	55	66	6	9
R0216-03-0155	18	26	31	75	66	6	9
R0216-03-0156	18	26	31	95	66	6	9
R0216-03-0157	18	26	31	115	66	6	9
R0216-03-0158	18	26	31	135	66	6	9
R0216-03-0159	18	26	31	155	66	6	9
R0216-03-0160	18	26	31	195	66	6	9
R0216-03-0161	18	26	31	55	76	6	9
R0216-03-0162	18	26	31	75	76	6	9
R0216-03-0163	18	26	31	95	76	6	9

Codice Code	D	D1	D2	L	L1	K	X
R0216-03-0164	18	26	31	115	76	6	9
R0216-03-0165	18	26	31	135	76	6	9
R0216-03-0166	18	26	31	155	76	6	9
R0216-03-0167	18	26	31	195	76	6	9
R0216-03-0168	18	26	31	55	86	6	9
R0216-03-0169	18	26	31	75	86	6	9
R0216-03-0170	18	26	31	95	86	6	9
R0216-03-0171	18	26	31	115	86	6	9
R0216-03-0172	18	26	31	135	86	6	9
R0216-03-0173	18	26	31	155	86	6	9
R0216-03-0174	18	26	31	195	86	6	9
R0216-03-0175	18	26	31	75	116	6	9
R0216-03-0176	18	26	31	95	116	6	9
R0216-03-0177	18	26	31	115	116	6	9
R0216-03-0178	18	26	31	75	136	6	9
R0216-03-0179	18	26	31	95	136	6	9
R0216-03-0180	18	26	31	115	136	6	9
R0216-03-0181	20	26	31	35	17	6	9
R0216-03-0182	20	26	31	55	17	6	9
R0216-03-0183	20	26	31	75	17	6	9
R0216-03-0184	20	26	31	95	17	6	9
R0216-03-0185	20	26	31	115	17	6	9
R0216-03-0186	20	26	31	35	22	6	9
R0216-03-0187	20	26	31	55	22	6	9
R0216-03-0188	20	26	31	75	22	6	9
R0216-03-0189	20	26	31	95	22	6	9
R0216-03-0190	20	26	31	115	22	6	9
R0216-03-0191	20	26	31	135	22	6	9
R0216-03-0192	20	26	31	35	27	6	9
R0216-03-0193	20	26	31	55	27	6	9
R0216-03-0194	20	26	31	75	27	6	9
R0216-03-0195	20	26	31	95	27	6	9
R0216-03-0196	20	26	31	115	27	6	9
R0216-03-0197	20	26	31	135	27	6	9
R0216-03-0198	20	26	31	155	27	6	9
R0216-03-0199	20	26	31	195	27	6	9
R0216-03-0200	20	26	31	235	27	6	9
R0216-03-0201	20	26	31	35	36	6	9
R0216-03-0202	20	26	31	55	36	6	9
R0216-03-0203	20	26	31	75	36	6	9
R0216-03-0204	20	26	31	95	36	6	9
R0216-03-0205	20	26	31	115	36	6	9
R0216-03-0206	20	26	31	135	36	6	9
R0216-03-0207	20	26	31	155	36	6	9
R0216-03-0208	20	26	31	195	36	6	9
R0216-03-0209	20	26	31	235	36	6	9
R0216-03-0210	20	26	31	35	46	6	9
R0216-03-0211	20	26	31	55	46	6	9
R0216-03-0212	20	26	31	75	46	6	9
R0216-03-0213	20	26	31	95	46	6	9
R0216-03-0214	20	26	31	115	46	6	9
R0216-03-0215	20	26	31	135	46	6	9
R0216-03-0216	20	26	31	155	46	6	9
R0216-03-0217	20	26	31	195	46	6	9
R0216-03-0218	20	26	31	235	46	6	9
R0216-03-0219	20	26	31	35	56	6	9
R0216-03-0220	20	26	31	55	56	6	9
R0216-03-0221	20	26	31	75	56	6	9
R0216-03-0222	20	26	31	95	56	6	9
R0216-03-0223	20	26	31	115	56	6	9
R0216-03-0224	20	26	31	135	56	6	9
R0216-03-0225	20	26	31	155	56	6	9
R0216-03-0226	20	26	31	195	56	6	9
R0216-03-0227	20	26	31	35	66	6	9
R0216-03-0228	20	26	31	55	66	6	9
R0216-03-0229	20	26	31	75	66	6	9
R0216-03-0230	20	26	31	95	66	6	9
R0216-03-0231	20	26	31	115	66	6	9
R0216-03-0232	20	26	31	135	66	6	9
R0216-03-0233	20	26	31	155	66	6	9
R0216-03-0234	20	26	31	195	66	6	9
R0216-03-0235	20	26	31	55	76	6	9
R0216-03-0236	20	26	31	75	76	6	9

### R0216

Colonna di guida a due diametri con codolo di centraggio

Two diameters guide pillar with centering collar

Codice Code	D	D1	D2	L	L1	K	X
R0216-03-0237	20	26	31	95	76	6	9
R0216-03-0238	20	26	31	115	76	6	9
R0216-03-0239	20	26	31	135	76	6	9
R0216-03-0240	20	26	31	155	76	6	9
R0216-03-0241	20	26	31	195	76	6	9
R0216-03-0242	20	26	31	55	86	6	9
R0216-03-0243	20	26	31	75	86	6	9
R0216-03-0244	20	26	31	95	86	6	9
R0216-03-0245	20	26	31	115	86	6	9
R0216-03-0246	20	26	31	135	86	6	9
R0216-03-0247	20	26	31	155	86	6	9
R0216-03-0248	20	26	31	195	86	6	9
R0216-03-0249	20	26	31	75	116	6	9
R0216-03-0250	20	26	31	95	116	6	9
R0216-03-0251	20	26	31	115	116	6	9
R0216-03-0252	20	26	31	75	136	6	9
R0216-03-0253	20	26	31	95	136	6	9
R0216-03-0254	20	26	31	115	136	6	9
R0216-03-0255	22	30	35	35	22	6	9
R0216-03-0256	22	30	35	55	22	6	9
R0216-03-0257	22	30	35	75	22	6	9
R0216-03-0258	22	30	35	95	22	6	9
R0216-03-0259	22	30	35	115	22	6	9
R0216-03-0260	22	30	35	135	22	6	9
R0216-03-0261	22	30	35	35	27	6	9
R0216-03-0262	22	30	35	55	27	6	9
R0216-03-0263	22	30	35	75	27	6	9
R0216-03-0264	22	30	35	95	27	6	9
R0216-03-0265	22	30	35	115	27	6	9
R0216-03-0266	22	30	35	155	27	6	9
R0216-03-0267	22	30	35	195	27	6	9
R0216-03-0268	22	30	35	235	27	6	9
R0216-03-0269	22	30	35	275	27	6	9
R0216-03-0270	22	30	35	35	36	6	9
R0216-03-0271	22	30	35	55	36	6	9
R0216-03-0272	22	30	35	75	36	6	9
R0216-03-0273	22	30	35	95	36	6	9
R0216-03-0274	22	30	35	115	36	6	9
R0216-03-0275	22	30	35	155	36	6	9
R0216-03-0276	22	30	35	195	36	6	9
R0216-03-0277	22	30	35	235	36	6	9
R0216-03-0278	22	30	35	275	36	6	9
R0216-03-0279	22	30	35	35	46	6	9
R0216-03-0280	22	30	35	55	46	6	9
R0216-03-0281	22	30	35	75	46	6	9
R0216-03-0282	22	30	35	95	46	6	9
R0216-03-0283	22	30	35	115	46	6	9
R0216-03-0284	22	30	35	155	46	6	9
R0216-03-0285	22	30	35	195	46	6	9
R0216-03-0286	22	30	35	235	46	6	9
R0216-03-0287	22	30	35	35	56	6	9
R0216-03-0288	22	30	35	55	56	6	9
R0216-03-0289	22	30	35	75	56	6	9
R0216-03-0290	22	30	35	95	56	6	9
R0216-03-0291	22	30	35	115	56	6	9
R0216-03-0292	22	30	35	155	56	6	9
R0216-03-0293	22	30	35	195	56	6	9
R0216-03-0294	22	30	35	55	66	6	9
R0216-03-0295	22	30	35	75	66	6	9
R0216-03-0296	22	30	35	95	66	6	9
R0216-03-0297	22	30	35	115	66	6	9
R0216-03-0298	22	30	35	155	66	6	9
R0216-03-0299	22	30	35	195	66	6	9
R0216-03-0300	22	30	35	55	76	6	9
R0216-03-0301	22	30	35	75	76	6	9
R0216-03-0302	22	30	35	95	76	6	9
R0216-03-0303	22	30	35	115	76	6	9
R0216-03-0304	22	30	35	135	76	6	9
R0216-03-0305	22	30	35	155	76	6	9
R0216-03-0306	22	30	35	195	76	6	9
R0216-03-0307	22	30	35	55	86	6	9
R0216-03-0308	22	30	35	75	86	6	9
R0216-03-0309	22	30	35	95	86	6	9

Codice Code	D	D1	D2	L	L1	K	X
R0216-03-0310	22	30	35	115	86	6	9
R0216-03-0311	22	30	35	135	86	6	9
R0216-03-0312	22	30	35	155	86	6	9
R0216-03-0313	22	30	35	195	86	6	9
R0216-03-0314	22	30	35	235	86	6	9
R0216-03-0315	22	30	35	75	96	6	9
R0216-03-0316	22	30	35	95	96	6	9
R0216-03-0317	22	30	35	115	96	6	9
R0216-03-0318	22	30	35	135	96	6	9
R0216-03-0319	22	30	35	155	96	6	9
R0216-03-0320	22	30	35	195	96	6	9
R0216-03-0321	22	30	35	235	96	6	9
R0216-03-0322	22	30	35	75	116	6	9
R0216-03-0323	22	30	35	95	116	6	9
R0216-03-0324	22	30	35	115	116	6	9
R0216-03-0325	22	30	35	135	116	6	9
R0216-03-0326	22	30	35	155	116	6	9
R0216-03-0327	22	30	35	195	116	6	9
R0216-03-0328	22	30	35	235	116	6	9
R0216-03-0329	22	30	35	95	136	6	9
R0216-03-0330	22	30	35	115	136	6	9
R0216-03-0331	22	30	35	155	136	6	9
R0216-03-0332	22	30	35	115	156	6	9
R0216-03-0333	22	30	35	155	156	6	9
R0216-03-0334	24	30	35	35	22	6	9
R0216-03-0335	24	30	35	55	22	6	9
R0216-03-0336	24	30	35	75	22	6	9
R0216-03-0337	24	30	35	95	22	6	9
R0216-03-0338	24	30	35	115	22	6	9
R0216-03-0339	24	30	35	135	22	6	9
R0216-03-0340	24	30	35	35	27	6	9
R0216-03-0341	24	30	35	55	27	6	9
R0216-03-0342	24	30	35	75	27	6	9
R0216-03-0343	24	30	35	95	27	6	9
R0216-03-0344	24	30	35	115	27	6	9
R0216-03-0345	24	30	35	155	27	6	9
R0216-03-0346	24	30	35	195	27	6	9
R0216-03-0347	24	30	35	235	27	6	9
R0216-03-0348	24	30	35	275	27	6	9
R0216-03-0349	24	30	35	35	36	6	9
R0216-03-0350	24	30	35	55	36	6	9
R0216-03-0351	24	30	35	75	36	6	9
R0216-03-0352	24	30	35	95	36	6	9
R0216-03-0353	24	30	35	115	36	6	9
R0216-03-0354	24	30	35	155	36	6	9
R0216-03-0355	24	30	35	195	36	6	9
R0216-03-0356	24	30	35	235	36	6	9
R0216-03-0357	24	30	35	275	36	6	9
R0216-03-0358	24	30	35	35	46	6	9
R0216-03-0359	24	30	35	55	46	6	9
R0216-03-0360	24	30	35	75	46	6	9
R0216-03-0361	24	30	35	95	46	6	9
R0216-03-0362	24	30	35	115	46	6	9
R0216-03-0363	24	30	35	155	46	6	9
R0216-03-0364	24	30	35	195	46	6	9
R0216-03-0365	24	30	35	235	46	6	9
R0216-03-0366	24	30	35	35	56	6	9
R0216-03-0367	24	30	35	55	56	6	9
R0216-03-0368	24	30	35	75	56	6	9
R0216-03-0369	24	30	35	95	56	6	9
R0216-03-0370	24	30	35	115	56	6	9
R0216-03-0371	24	30	35	155	56	6	9
R0216-03-0372	24	30	35	195	56	6	9
R0216-03-0373	24	30	35	55	66	6	9
R0216-03-0374	24	30	35	75	66	6	9
R0216-03-0375	24	30	35	95	66	6	9
R0216-03-0376	24	30	35	115	66	6	9
R0216-03-0377	24	30	35	155	66	6	9
R0216-03-0378	24	30	35	195	66	6	9
R0216-03-0379	24	30	35	55	76	6	9
R0216-03-0380	24	30	35	75	76	6	9
R0216-03-0381	24	30	35	95	76	6	9
R0216-03-0382	24	30	35	115	76	6	9

### R0216

Colonna di guida a due diametri con codolo di centraggio

Two diameters guide pillar with centering collar

Codice Code	D	D1	D2	L	L1	K	X
R0216-03-0383	24	30	35	135	76	6	9
R0216-03-0384	24	30	35	155	76	6	9
R0216-03-0385	24	30	35	195	76	6	9
R0216-03-0386	24	30	35	55	86	6	9
R0216-03-0387	24	30	35	75	86	6	9
R0216-03-0388	24	30	35	95	86	6	9
R0216-03-0389	24	30	35	115	86	6	9
R0216-03-0390	24	30	35	135	86	6	9
R0216-03-0391	24	30	35	155	86	6	9
R0216-03-0392	24	30	35	195	86	6	9
R0216-03-0393	24	30	35	235	86	6	9
R0216-03-0394	24	30	35	75	96	6	9
R0216-03-0395	24	30	35	95	96	6	9
R0216-03-0396	24	30	35	115	96	6	9
R0216-03-0397	24	30	35	135	96	6	9
R0216-03-0398	24	30	35	155	96	6	9
R0216-03-0399	24	30	35	195	96	6	9
R0216-03-0400	24	30	35	235	96	6	9
R0216-03-0401	24	30	35	75	116	6	9
R0216-03-0402	24	30	35	95	116	6	9
R0216-03-0403	24	30	35	115	116	6	9
R0216-03-0404	24	30	35	135	116	6	9
R0216-03-0405	24	30	35	155	116	6	9
R0216-03-0406	24	30	35	195	116	6	9
R0216-03-0407	24	30	35	235	116	6	9
R0216-03-0408	24	30	35	95	136	6	9
R0216-03-0409	24	30	35	115	136	6	9
R0216-03-0410	24	30	35	155	136	6	9
R0216-03-0411	24	30	35	115	156	6	9
R0216-03-0412	24	30	35	155	156	6	9
R0216-03-0413	30	42	47	55	27	6	9
R0216-03-0414	30	42	47	75	27	6	9
R0216-03-0415	30	42	47	95	27	6	9
R0216-03-0416	30	42	47	115	27	6	9
R0216-03-0417	30	42	47	155	27	6	9
R0216-03-0418	30	42	47	195	27	6	9
R0216-03-0419	30	42	47	235	27	6	9
R0216-03-0420	30	42	47	275	27	6	9
R0216-03-0421	30	42	47	55	36	6	9
R0216-03-0422	30	42	47	75	36	6	9
R0216-03-0423	30	42	47	95	36	6	9
R0216-03-0424	30	42	47	115	36	6	9
R0216-03-0425	30	42	47	155	36	6	9
R0216-03-0426	30	42	47	195	36	6	9
R0216-03-0427	30	42	47	235	36	6	9
R0216-03-0428	30	42	47	275	36	6	9
R0216-03-0429	30	42	47	55	46	6	9
R0216-03-0430	30	42	47	75	46	6	9
R0216-03-0431	30	42	47	95	46	6	9
R0216-03-0432	30	42	47	115	46	6	9
R0216-03-0433	30	42	47	155	46	6	9
R0216-03-0434	30	42	47	195	46	6	9
R0216-03-0435	30	42	47	235	46	6	9
R0216-03-0436	30	42	47	275	46	6	9
R0216-03-0437	30	42	47	55	56	6	9
R0216-03-0438	30	42	47	75	56	6	9
R0216-03-0439	30	42	47	95	56	6	9
R0216-03-0440	30	42	47	115	56	6	9
R0216-03-0441	30	42	47	155	56	6	9
R0216-03-0442	30	42	47	195	56	6	9
R0216-03-0443	30	42	47	235	56	6	9
R0216-03-0444	30	42	47	275	56	6	9
R0216-03-0445	30	42	47	55	66	6	9
R0216-03-0446	30	42	47	75	66	6	9
R0216-03-0447	30	42	47	95	66	6	9
R0216-03-0448	30	42	47	115	66	6	9
R0216-03-0449	30	42	47	155	66	6	9
R0216-03-0450	30	42	47	195	66	6	9
R0216-03-0451	30	42	47	235	66	6	9
R0216-03-0452	30	42	47	275	66	6	9
R0216-03-0453	30	42	47	55	76	6	9
R0216-03-0454	30	42	47	75	76	6	9
R0216-03-0455	30	42	47	95	76	6	9

Codice Code	D	D1	D2	L	L1	K	X
R0216-03-0456	30	42	47	115	76	6	9
R0216-03-0457	30	42	47	155	76	6	9
R0216-03-0458	30	42	47	195	76	6	9
R0216-03-0459	30	42	47	235	76	6	9
R0216-03-0460	30	42	47	55	86	6	9
R0216-03-0461	30	42	47	75	86	6	9
R0216-03-0462	30	42	47	95	86	6	9
R0216-03-0463	30	42	47	115	86	6	9
R0216-03-0464	30	42	47	155	86	6	9
R0216-03-0465	30	42	47	195	86	6	9
R0216-03-0466	30	42	47	235	86	6	9
R0216-03-0467	30	42	47	75	96	6	9
R0216-03-0468	30	42	47	95	96	6	9
R0216-03-0469	30	42	47	115	96	6	9
R0216-03-0470	30	42	47	155	96	6	9
R0216-03-0471	30	42	47	195	96	6	9
R0216-03-0472	30	42	47	75	116	6	9
R0216-03-0473	30	42	47	95	116	6	9
R0216-03-0474	30	42	47	115	116	6	9
R0216-03-0475	30	42	47	155	116	6	9
R0216-03-0476	30	42	47	195	116	6	9
R0216-03-0477	30	42	47	95	136	6	9
R0216-03-0478	30	42	47	115	136	6	9
R0216-03-0479	30	42	47	155	136	6	9
R0216-03-0480	30	42	47	195	136	6	9
R0216-03-0481	30	42	47	95	156	6	9
R0216-03-0482	30	42	47	115	156	6	9
R0216-03-0483	30	42	47	155	156	6	9
R0216-03-0484	30	42	47	115	176	6	9
R0216-03-0485	30	42	47	155	176	6	9
R0216-03-0486	30	42	47	195	176	6	9
R0216-03-0487	30	42	47	115	196	6	9
R0216-03-0488	30	42	47	155	196	6	9
R0216-03-0489	30	42	47	195	196	6	9
R0216-03-0490	32	42	47	55	27	6	9
R0216-03-0491	32	42	47	75	27	6	9
R0216-03-0492	32	42	47	95	27	6	9
R0216-03-0493	32	42	47	115	27	6	9
R0216-03-0494	32	42	47	155	27	6	9
R0216-03-0495	32	42	47	195	27	6	9
R0216-03-0496	32	42	47	235	27	6	9
R0216-03-0497	32	42	47	275	27	6	9
R0216-03-0498	32	42	47	55	36	6	9
R0216-03-0499	32	42	47	75	36	6	9
R0216-03-0500	32	42	47	95	36	6	9
R0216-03-0501	32	42	47	115	36	6	9
R0216-03-0502	32	42	47	155	36	6	9
R0216-03-0503	32	42	47	195	36	6	9
R0216-03-0504	32	42	47	235	36	6	9
R0216-03-0505	32	42	47	275	36	6	9
R0216-03-0506	32	42	47	55	46	6	9
R0216-03-0507	32	42	47	75	46	6	9
R0216-03-0508	32	42	47	95	46	6	9
R0216-03-0509	32	42	47	115	46	6	9
R0216-03-0510	32	42	47	155	46	6	9
R0216-03-0511	32	42	47	195	46	6	9
R0216-03-0512	32	42	47	235	46	6	9
R0216-03-0513	32	42	47	275	46	6	9
R0216-03-0514	32	42	47	55	56	6	9
R0216-03-0515	32	42	47	75	56	6	9
R0216-03-0516	32	42	47	95	56	6	9
R0216-03-0517	32	42	47	115	56	6	9
R0216-03-0518	32	42	47	155	56	6	9
R0216-03-0519	32	42	47	195	56	6	9
R0216-03-0520	32	42	47	235	56	6	9
R0216-03-0521	32	42	47	275	56	6	9
R0216-03-0522	32	42	47	55	66	6	9
R0216-03-0523	32	42	47	75	66	6	9
R0216-03-0524	32	42	47	95	66	6	9
R0216-03-0525	32	42	47	115	66	6	9
R0216-03-0526	32	42	47	155	66	6	9
R0216-03-0527	32	42	47	195	66	6	9
R0216-03-0528	32	42	47	235	66	6	9

### R0216

Colonna di guida a due diametri con codolo di centraggio

Two diameters guide pillar with centering collar

Codice Code	D	D1	D2	L	L1	K	X
R0216-03-0529	32	42	47	275	66	6	9
R0216-03-0530	32	42	47	55	76	6	9
R0216-03-0531	32	42	47	75	76	6	9
R0216-03-0532	32	42	47	95	76	6	9
R0216-03-0533	32	42	47	115	76	6	9
R0216-03-0534	32	42	47	155	76	6	9
R0216-03-0535	32	42	47	195	76	6	9
R0216-03-0536	32	42	47	235	76	6	9
R0216-03-0537	32	42	47	55	86	6	9
R0216-03-0538	32	42	47	75	86	6	9
R0216-03-0539	32	42	47	95	86	6	9
R0216-03-0540	32	42	47	115	86	6	9
R0216-03-0541	32	42	47	155	86	6	9
R0216-03-0542	32	42	47	195	86	6	9
R0216-03-0543	32	42	47	235	86	6	9
R0216-03-0544	32	42	47	75	96	6	9
R0216-03-0545	32	42	47	95	96	6	9
R0216-03-0546	32	42	47	115	96	6	9
R0216-03-0547	32	42	47	155	96	6	9
R0216-03-0548	32	42	47	195	96	6	9
R0216-03-0549	32	42	47	75	116	6	9
R0216-03-0550	32	42	47	95	116	6	9
R0216-03-0551	32	42	47	115	116	6	9
R0216-03-0552	32	42	47	155	116	6	9
R0216-03-0553	32	42	47	195	116	6	9
R0216-03-0554	32	42	47	95	136	6	9
R0216-03-0555	32	42	47	115	136	6	9
R0216-03-0556	32	42	47	155	136	6	9
R0216-03-0557	32	42	47	195	136	6	9
R0216-03-0558	32	42	47	95	156	6	9
R0216-03-0559	32	42	47	115	156	6	9
R0216-03-0560	32	42	47	155	156	6	9
R0216-03-0561	32	42	47	115	176	6	9
R0216-03-0562	32	42	47	155	176	6	9
R0216-03-0563	32	42	47	195	176	6	9
R0216-03-0564	32	42	47	115	196	6	9
R0216-03-0565	32	42	47	155	196	6	9
R0216-03-0566	32	42	47	195	196	6	9
R0216-03-0567	40	54	59	75	36	10	12
R0216-03-0568	40	54	59	95	36	10	12
R0216-03-0569	40	54	59	115	36	10	12
R0216-03-0570	40	54	59	155	36	10	12
R0216-03-0571	40	54	59	75	46	10	12
R0216-03-0572	40	54	59	95	46	10	12
R0216-03-0573	40	54	59	115	46	10	12
R0216-03-0574	40	54	59	155	46	10	12
R0216-03-0575	40	54	59	75	56	10	12
R0216-03-0576	40	54	59	95	56	10	12
R0216-03-0577	40	54	59	115	56	10	12
R0216-03-0578	40	54	59	155	56	10	12
R0216-03-0579	40	54	59	195	56	10	12
R0216-03-0580	40	54	59	75	66	10	12
R0216-03-0581	40	54	59	95	66	10	12
R0216-03-0582	40	54	59	115	66	10	12
R0216-03-0583	40	54	59	155	66	10	12
R0216-03-0584	40	54	59	75	76	10	12
R0216-03-0585	40	54	59	95	76	10	12
R0216-03-0586	40	54	59	115	76	10	12
R0216-03-0587	40	54	59	155	76	10	12
R0216-03-0588	40	54	59	75	86	10	12
R0216-03-0589	40	54	59	95	86	10	12
R0216-03-0590	40	54	59	115	86	10	12
R0216-03-0591	40	54	59	155	86	10	12
R0216-03-0592	40	54	59	75	96	10	12
R0216-03-0593	40	54	59	95	96	10	12
R0216-03-0594	40	54	59	115	96	10	12
R0216-03-0595	40	54	59	155	96	10	12
R0216-03-0596	40	54	59	195	96	10	12
R0216-03-0597	40	54	59	75	116	10	12
R0216-03-0598	40	54	59	95	116	10	12
R0216-03-0599	40	54	59	115	116	10	12
R0216-03-0600	40	54	59	155	116	10	12
R0216-03-0601	40	54	59	195	116	10	12

Codice Code	D	D1	D2	L	L1	K	X
R0216-03-0602	40	54	59	95	136	10	12
R0216-03-0603	40	54	59	115	136	10	12
R0216-03-0604	40	54	59	155	136	10	12
R0216-03-0605	40	54	59	195	136	10	12
R0216-03-0606	40	54	59	115	156	10	12
R0216-03-0607	40	54	59	155	156	10	12
R0216-03-0608	40	54	59	195	156	10	12
R0216-03-0609	40	54	59	115	176	10	12
R0216-03-0610	40	54	59	155	176	10	12
R0216-03-0611	40	54	59	195	176	10	12
R0216-03-0612	40	54	59	235	176	10	12
R0216-03-0613	40	54	59	115	196	10	12
R0216-03-0614	40	54	59	155	196	10	12
R0216-03-0615	40	54	59	195	196	10	12
R0216-03-0616	40	54	59	235	196	10	12
R0216-03-0617	40	54	59	195	216	10	12
R0216-03-0618	40	54	59	215	216	10	12
R0216-03-0619	40	54	59	215	246	10	12
R0216-03-0620	40	54	59	245	246	10	12
R0216-03-0621	42	54	59	75	36	10	12
R0216-03-0622	42	54	59	95	36	10	12
R0216-03-0623	42	54	59	115	36	10	12
R0216-03-0624	42	54	59	155	36	10	12
R0216-03-0625	42	54	59	75	46	10	12
R0216-03-0626	42	54	59	95	46	10	12
R0216-03-0627	42	54	59	115	46	10	12
R0216-03-0628	42	54	59	155	46	10	12
R0216-03-0629	42	54	59	75	56	10	12
R0216-03-0630	42	54	59	95	56	10	12
R0216-03-0631	42	54	59	115	56	10	12
R0216-03-0632	42	54	59	155	56	10	12
R0216-03-0633	42	54	59	195	56	10	12
R0216-03-0634	42	54	59	75	66	10	12
R0216-03-0635	42	54	59	95	66	10	12
R0216-03-0636	42	54	59	115	66	10	12
R0216-03-0637	42	54	59	155	66	10	12
R0216-03-0638	42	54	59	75	76	10	12
R0216-03-0639	42	54	59	95	76	10	12
R0216-03-0640	42	54	59	115	76	10	12
R0216-03-0641	42	54	59	155	76	10	12
R0216-03-0642	42	54	59	75	86	10	12
R0216-03-0643	42	54	59	95	86	10	12
R0216-03-0644	42	54	59	115	86	10	12
R0216-03-0645	42	54	59	155	86	10	12
R0216-03-0646	42	54	59	75	96	10	12
R0216-03-0647	42	54	59	95	96	10	12
R0216-03-0648	42	54	59	115	96	10	12
R0216-03-0649	42	54	59	155	96	10	12
R0216-03-0650	42	54	59	195	96	10	12
R0216-03-0651	42	54	59	75	116	10	12
R0216-03-0652	42	54	59	95	116	10	12
R0216-03-0653	42	54	59	115	116	10	12
R0216-03-0654	42	54	59	155	116	10	12
R0216-03-0655	42	54	59	195	116	10	12
R0216-03-0656	42	54	59	95	136	10	12
R0216-03-0657	42	54	59	115	136	10	12
R0216-03-0658	42	54	59	155	136	10	12
R0216-03-0659	42	54	59	195	136	10	12
R0216-03-0660	42	54	59	115	156	10	12
R0216-03-0661	42	54	59	155	156	10	12
R0216-03-0662	42	54	59	195	156	10	12
R0216-03-0663	42	54	59	115	176	10	12
R0216-03-0664	42	54	59	155	176	10	12
R0216-03-0665	42	54	59	195	176	10	12
R0216-03-0666	42	54	59	235	176	10	12
R0216-03-0667	42	54	59	115	196	10	12
R0216-03-0668	42	54	59	155	196	10	12
R0216-03-0669	42	54	59	195	196	10	12
R0216-03-0670	42	54	59	235	196	10	12
R0216-03-0671	42	54	59	195	216	10	12
R0216-03-0672	42	54	59	215	216	10	12
R0216-03-0673	42	54	59	215	246	10	12
R0216-03-0674	42	54	59	245	246	10	12