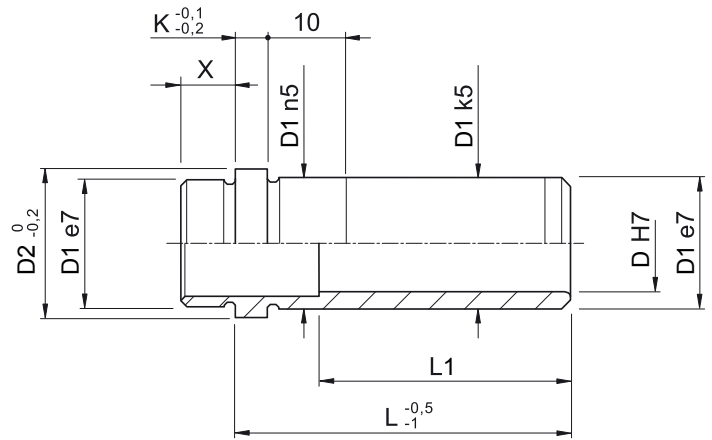


R0214

Bussola guida con collare spallata
Shouldered guide bush with collar



Descrizione:

Description:

Materiale: 1.7139 Tempra
Trattamento termico: Cementazione + Tempra

Material: 1.7139 Hardened
Heat treatment: Cementing + Hardening

Codice Code	D	D1	D2	L	L1	K	X
R0214-03-0001	14	20	25	17		6	9
R0214-03-0002	14	20	25	22		6	9
R0214-03-0003	14	20	25	27		6	9
R0214-03-0004	14	20	25	36		6	9
R0214-03-0005	14	20	25	46		6	9
R0214-03-0006	14	20	25	56	46	6	9
R0214-03-0007	14	20	25	66	46	6	9
R0214-03-0008	14	20	25	76	46	6	9
R0214-03-0009	14	20	25	86	46	6	9
R0214-03-0010	14	20	25	96	46	6	9
R0214-03-0011	15	20	25	17		6	9
R0214-03-0012	15	20	25	22		6	9
R0214-03-0013	15	20	25	27		6	9
R0214-03-0014	15	20	25	36		6	9
R0214-03-0015	15	20	25	46		6	9
R0214-03-0016	15	20	25	56	46	6	9
R0214-03-0017	15	20	25	66	46	6	9
R0214-03-0018	15	20	25	76	46	6	9
R0214-03-0019	15	20	25	86	46	6	9
R0214-03-0020	15	20	25	96	46	6	9
R0214-03-0021	18	26	31	17		6	9
R0214-03-0022	18	26	31	22		6	9
R0214-03-0023	18	26	31	27		6	9
R0214-03-0024	18	26	31	36		6	9
R0214-03-0025	18	26	31	46		6	9
R0214-03-0026	18	26	31	56		6	9
R0214-03-0027	18	26	31	66	56	6	9
R0214-03-0028	18	26	31	76	56	6	9
R0214-03-0029	18	26	31	86	56	6	9
R0214-03-0030	18	26	31	96	56	6	9
R0214-03-0031	18	26	31	116	56	6	9
R0214-03-0032	20	26	31	17		6	9
R0214-03-0033	20	26	31	22		6	9
R0214-03-0034	20	26	31	27		6	9
R0214-03-0035	20	26	31	36		6	9
R0214-03-0036	20	26	31	46		6	9
R0214-03-0037	20	26	31	56		6	9
R0214-03-0038	20	26	31	66	56	6	9
R0214-03-0039	20	26	31	76	56	6	9
R0214-03-0040	20	26	31	86	56	6	9
R0214-03-0041	20	26	31	96	56	6	9
R0214-03-0042	20	26	31	116	56	6	9
R0214-03-0043	22	30	35	22		6	9
R0214-03-0044	22	30	35	27		6	9
R0214-03-0045	22	30	35	36		6	9

R0214

Bussola guida con collare spallata

Shouldered guide bush with collar

Codice Code	D	D1	D2	L	L1	K	X
R0214-03-0046	22	30	35	46		6	9
R0214-03-0047	22	30	35	56		6	9
R0214-03-0048	22	30	35	66		6	9
R0214-03-0049	22	30	35	76		6	9
R0214-03-0050	22	30	35	86	76	6	9
R0214-03-0051	22	30	35	96	76	6	9
R0214-03-0052	22	30	35	116	76	6	9
R0214-03-0053	22	30	35	136	76	6	9
R0214-03-0054	24	30	35	22		6	9
R0214-03-0055	24	30	35	27		6	9
R0214-03-0056	24	30	35	36		6	9
R0214-03-0057	24	30	35	46		6	9
R0214-03-0058	24	30	35	56		6	9
R0214-03-0059	24	30	35	66		6	9
R0214-03-0060	24	30	35	76		6	9
R0214-03-0061	24	30	35	86	76	6	9
R0214-03-0062	24	30	35	96	76	6	9
R0214-03-0063	24	30	35	116	76	6	9
R0214-03-0064	24	30	35	136	76	6	9
R0214-03-0065	30	42	47	27		6	9
R0214-03-0066	30	42	47	36		6	9
R0214-03-0067	30	42	47	46		6	9
R0214-03-0068	30	42	47	56		6	9
R0214-03-0069	30	42	47	66		6	9
R0214-03-0070	30	42	47	76		6	9
R0214-03-0071	30	42	47	86		6	9
R0214-03-0072	30	42	47	96		6	9
R0214-03-0073	30	42	47	116	96	6	9
R0214-03-0074	30	42	47	136	96	6	9
R0214-03-0075	30	42	47	156	96	6	9
R0214-03-0076	32	42	47	27		6	9
R0214-03-0077	32	42	47	36		6	9
R0214-03-0078	32	42	47	46		6	9
R0214-03-0079	32	42	47	56		6	9
R0214-03-0080	32	42	47	66		6	9
R0214-03-0081	32	42	47	76		6	9
R0214-03-0082	32	42	47	86		6	9
R0214-03-0083	32	42	47	96		6	9
R0214-03-0084	32	42	47	116	96	6	9
R0214-03-0085	32	42	47	136	96	6	9
R0214-03-0086	32	42	47	156	96	6	9
R0214-03-0087	40	54	59	36		10	12
R0214-03-0088	40	54	59	46		10	12
R0214-03-0089	40	54	59	56		10	12
R0214-03-0090	40	54	59	66		10	12
R0214-03-0091	40	54	59	76		10	12
R0214-03-0092	40	54	59	86		10	12
R0214-03-0093	40	54	59	96		10	12
R0214-03-0094	40	54	59	116		10	12
R0214-03-0095	40	54	59	136	116	10	12
R0214-03-0096	40	54	59	156	116	10	12
R0214-03-0097	40	54	59	196	116	10	12
R0214-03-0089	40	54	59	56		10	12
R0214-03-0090	40	54	59	66		10	12
R0214-03-0091	40	54	59	76		10	12
R0214-03-0092	40	54	59	86		10	12
R0214-03-0093	40	54	59	96		10	12
R0214-03-0094	40	54	59	116		10	12
R0214-03-0095	40	54	59	136	116	10	12
R0214-03-0096	40	54	59	156	116	10	12
R0214-03-0097	40	54	59	196	116	10	12
R0214-03-0098	42	54	59	36		10	12
R0214-03-0099	42	54	59	46		10	12
R0214-03-0100	42	54	59	56		10	12
R0214-03-0101	42	54	59	66		10	12
R0214-03-0102	42	54	59	76		10	12
R0214-03-0103	42	54	59	86		10	12
R0214-03-0104	42	54	59	96		10	12
R0214-03-0105	42	54	59	116		10	12
R0214-03-0106	42	54	59	136	116	10	12
R0214-03-0107	42	54	59	156	116	10	12
R0214-03-0108	42	54	59	196	116	10	12